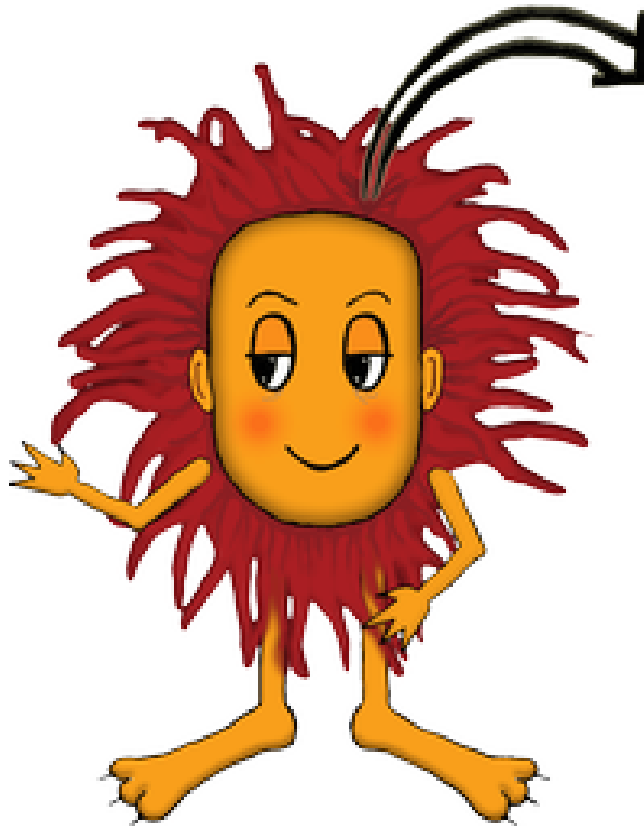


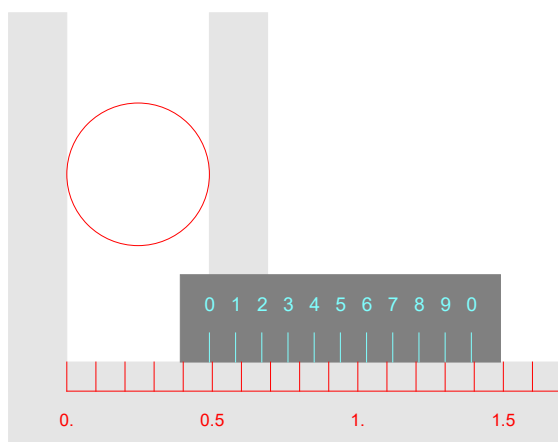
Velika logična pošast



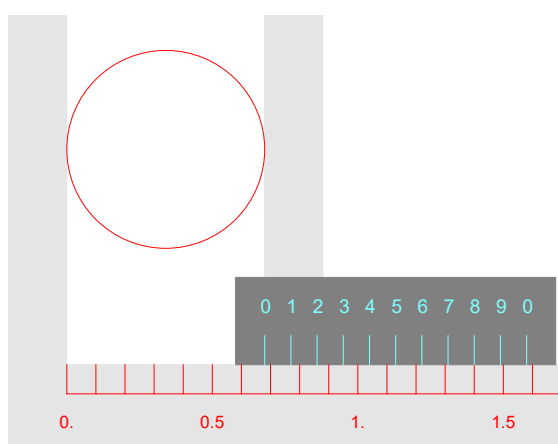
Merjenje s kljunastim merilom

S kljunastim merilom merimo tako, da celoštevilski del in prvo decimalno preberemo na glavni lestvici, drugo decimalno pa na pomični (Vernierjevi) lestvici tam, kjer se lestvici najbolj ujemata.

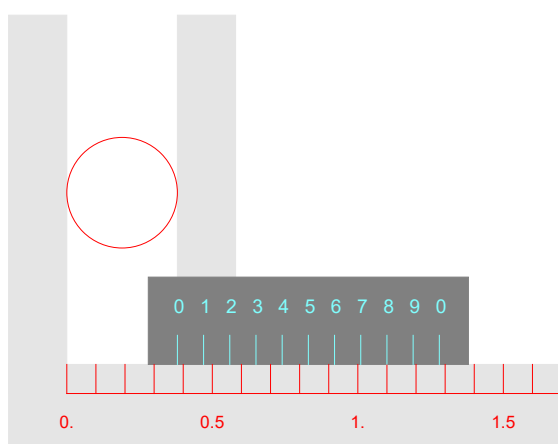
1.



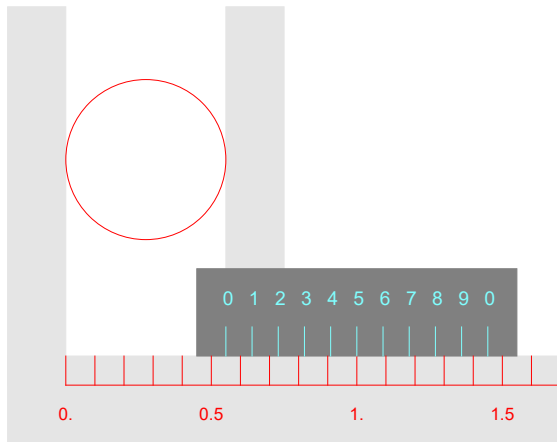
2.



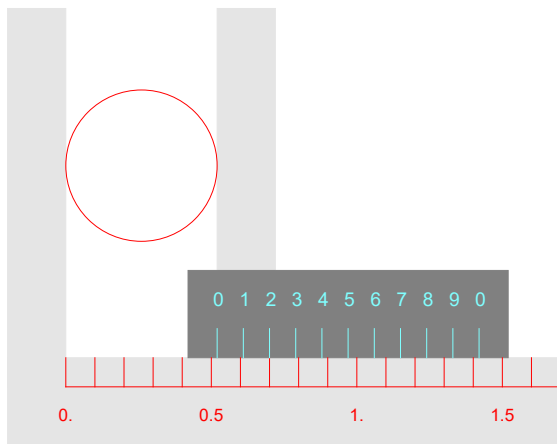
3.



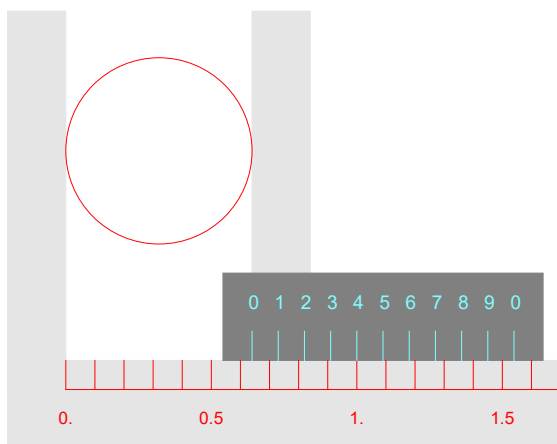
4.



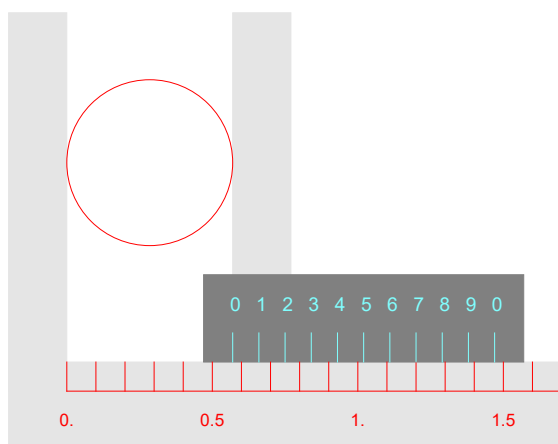
5.



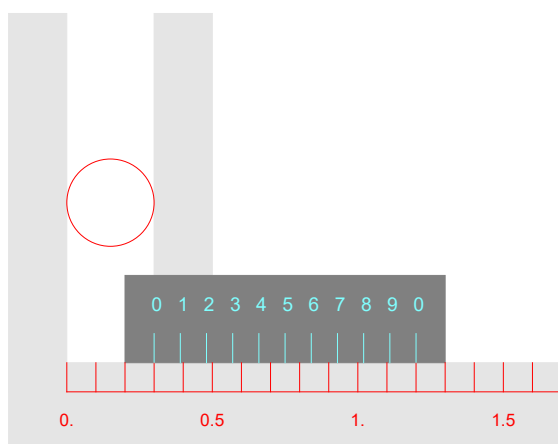
6.



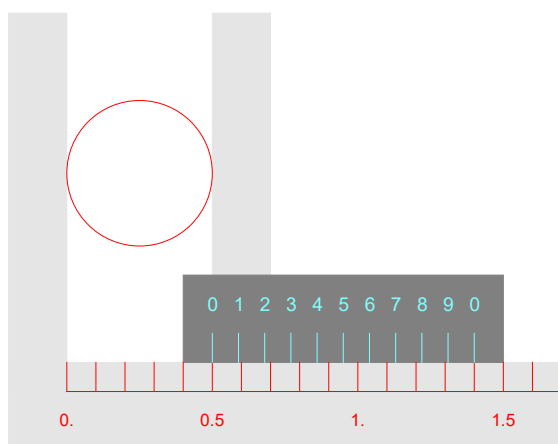
7.



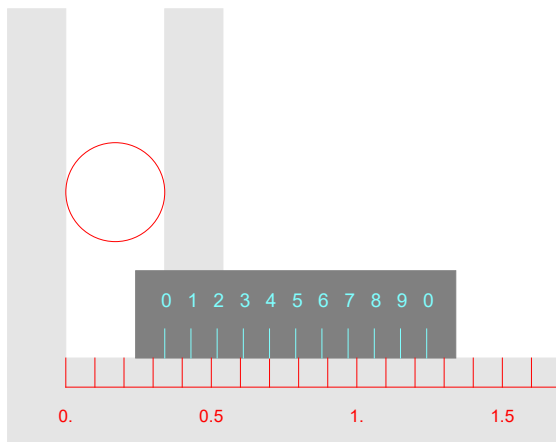
8.



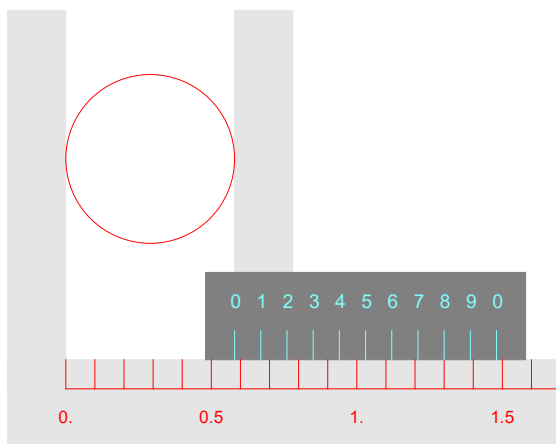
9.



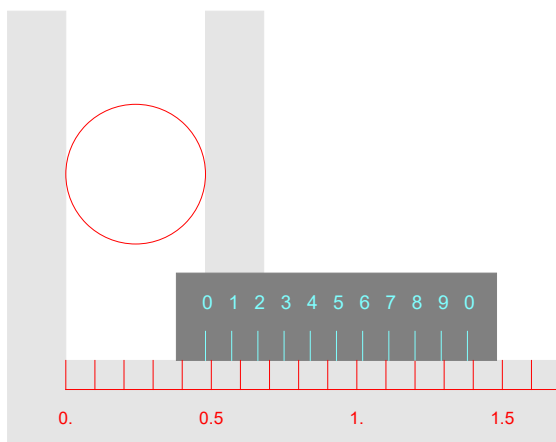
10.



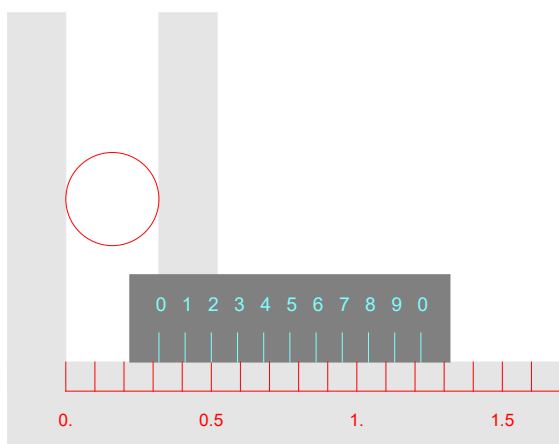
11.



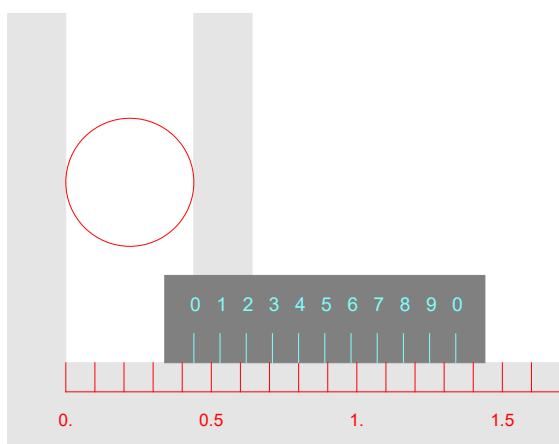
12.



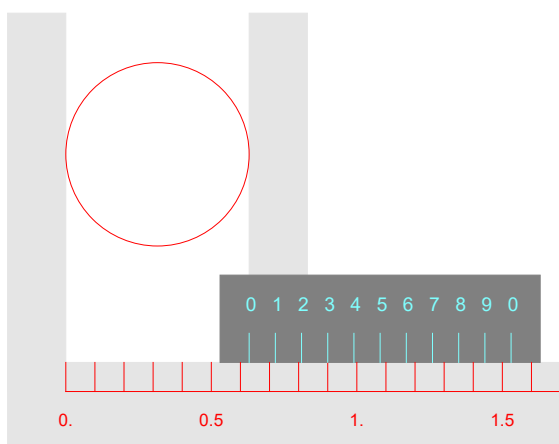
13.



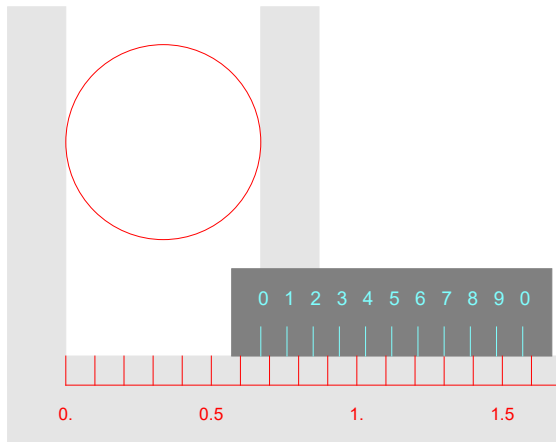
14.



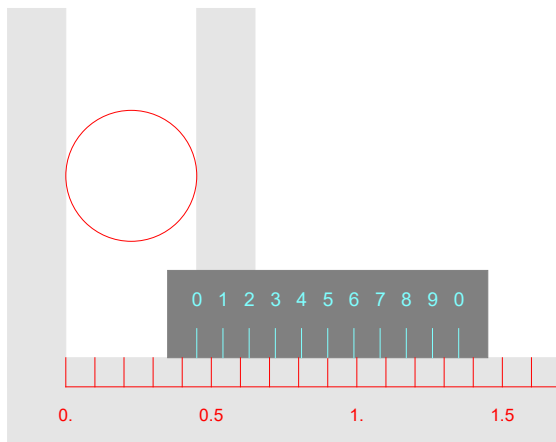
15.



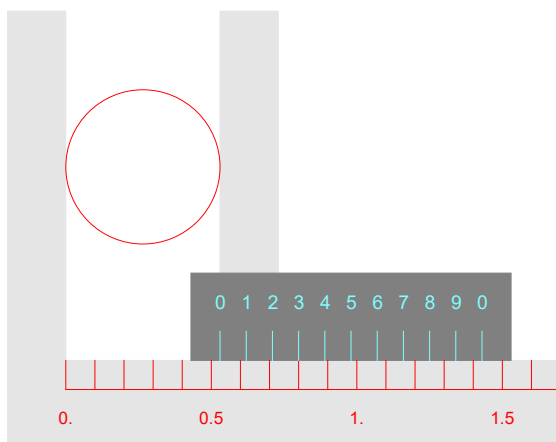
16.



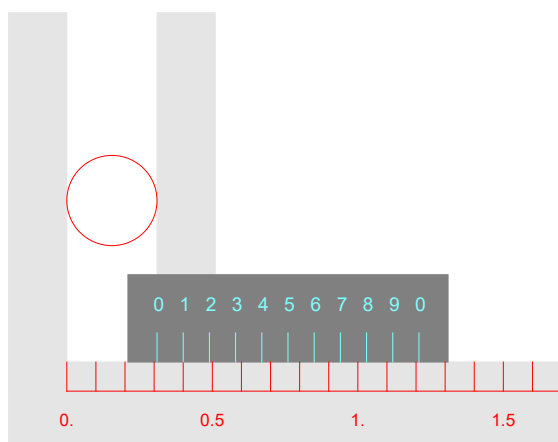
17.



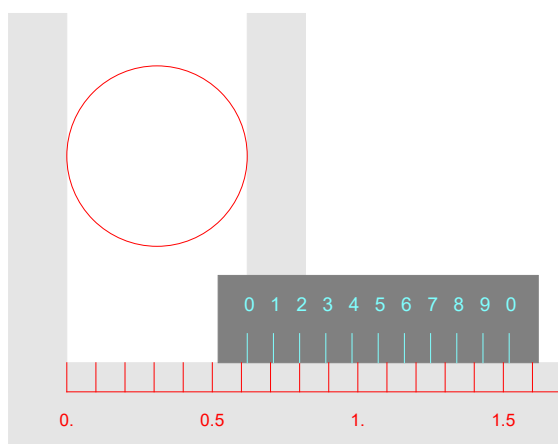
18.



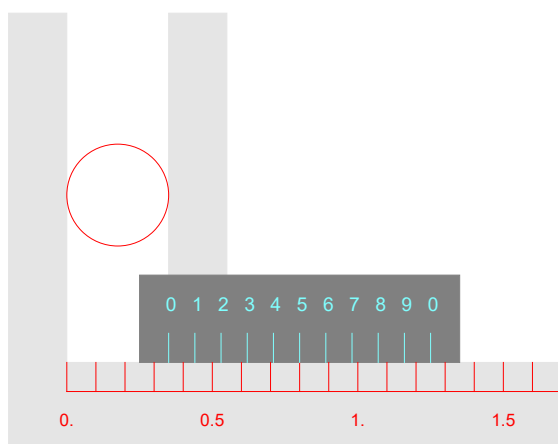
19.



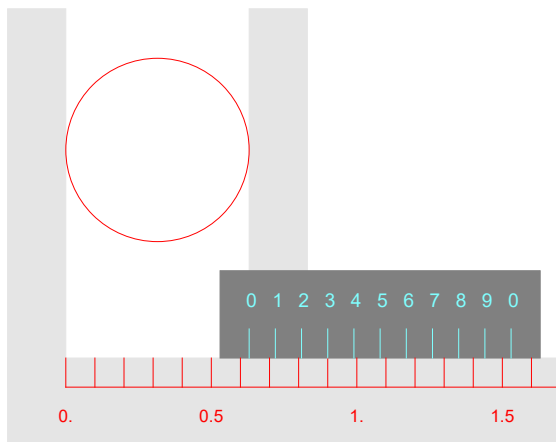
20.



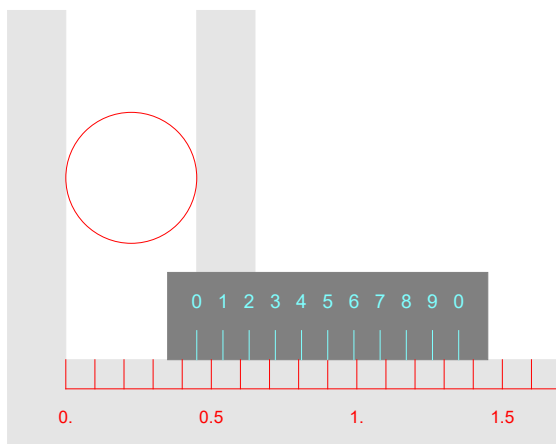
21.



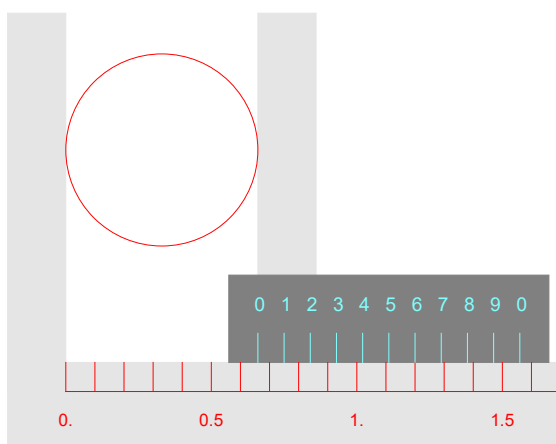
22.



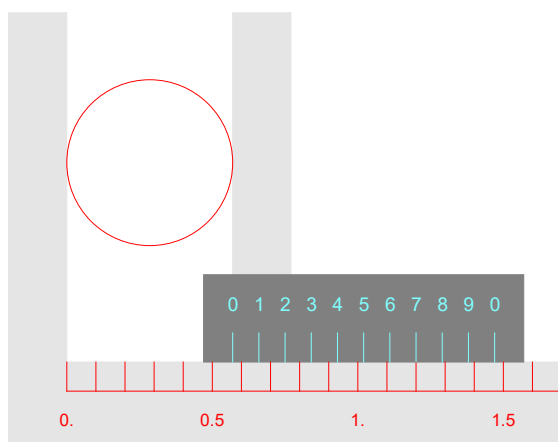
23.



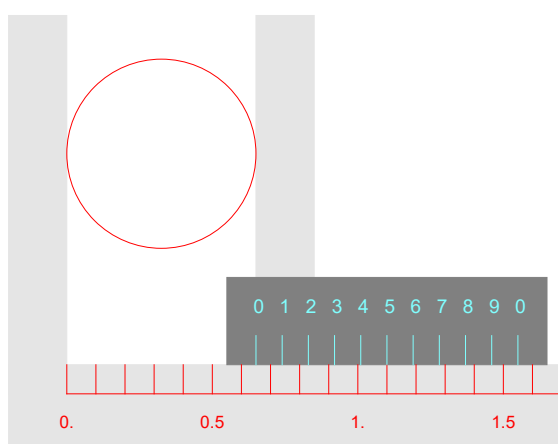
24.



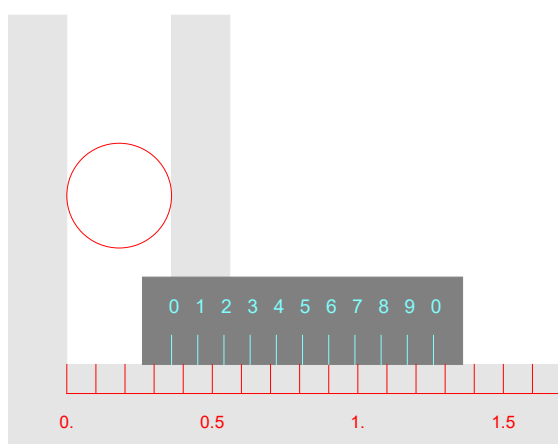
25.



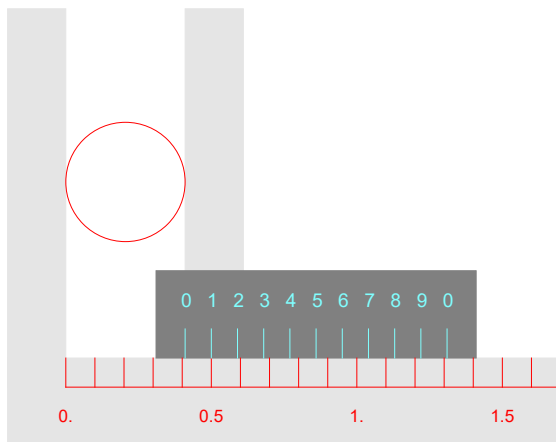
26.



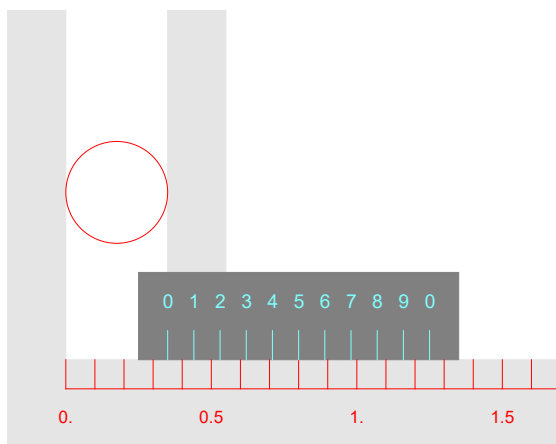
27.



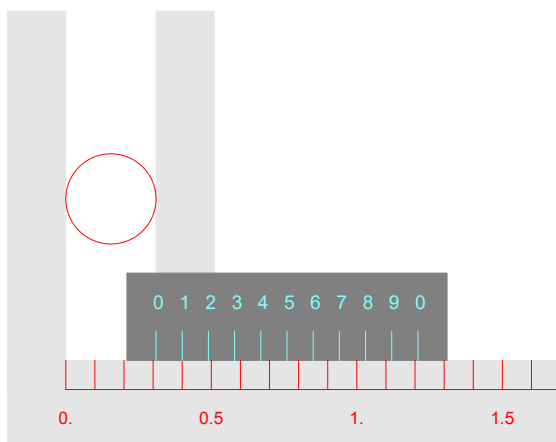
28.



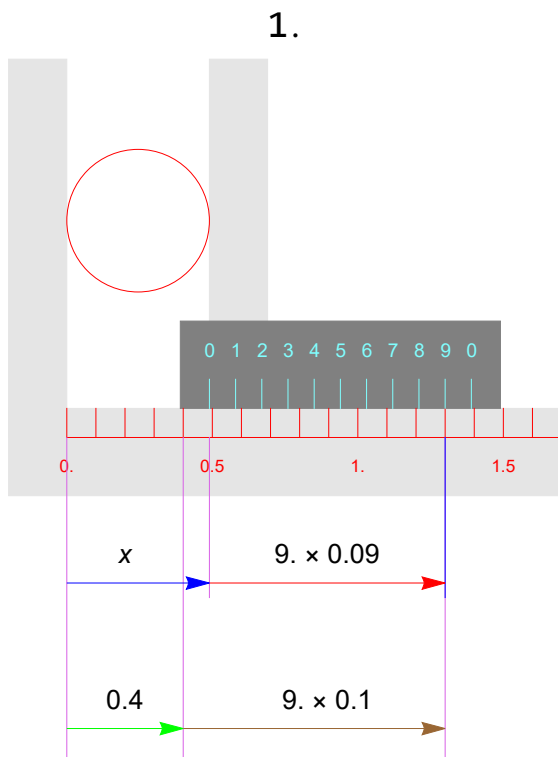
29.



30.

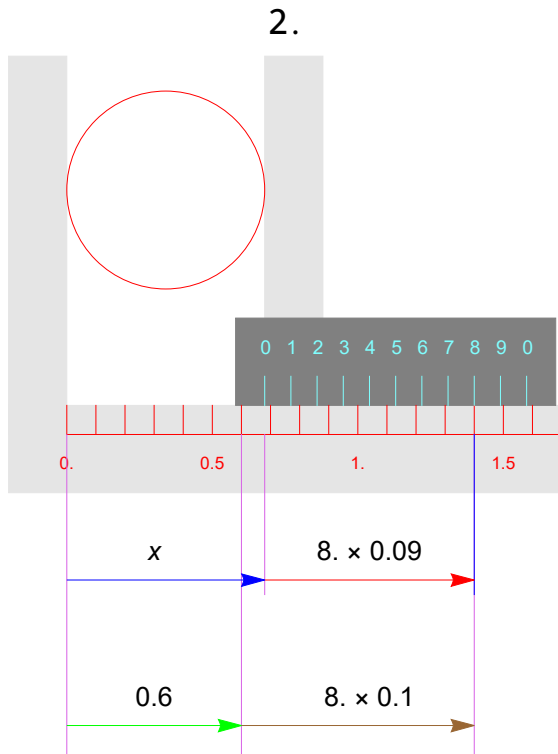


Rešitve:



$$x + a = b + c$$

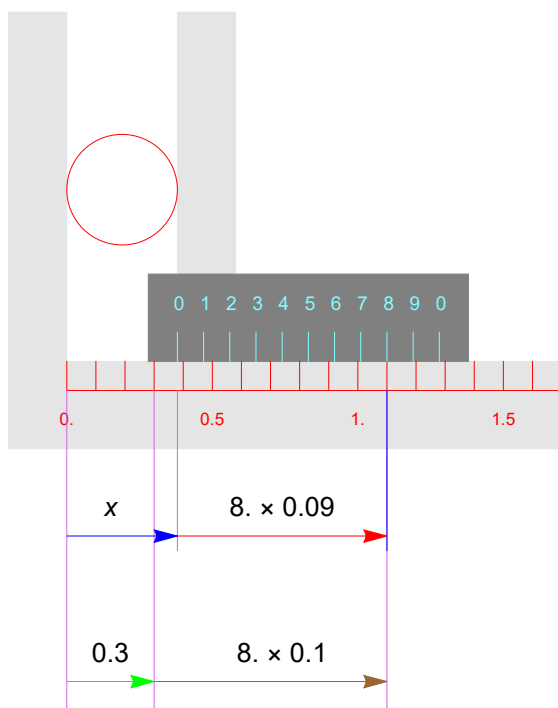
$$x = 0.4 + 9(0.1 - 0.09) = 0.4 + 0.09 = 0.49$$



$$x + a = b + c$$

$$x = 0.6 + 8 (0.1 - 0.09) = 0.6 + 0.08 = 0.68$$

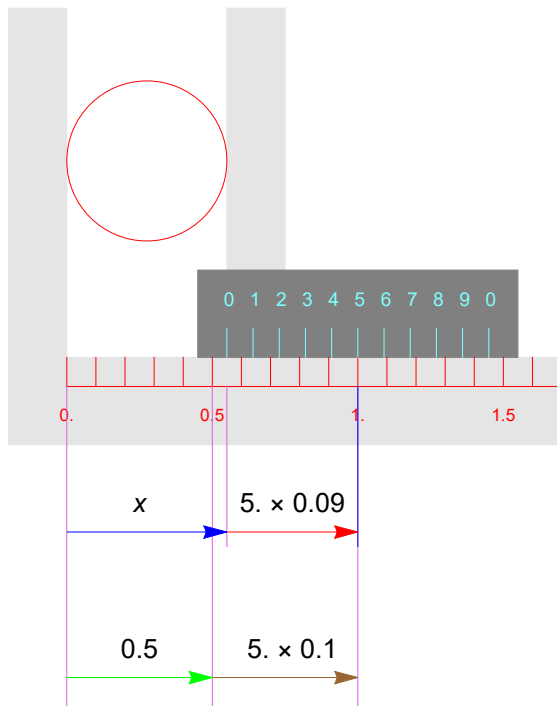
3.



$$x + a = b + c$$

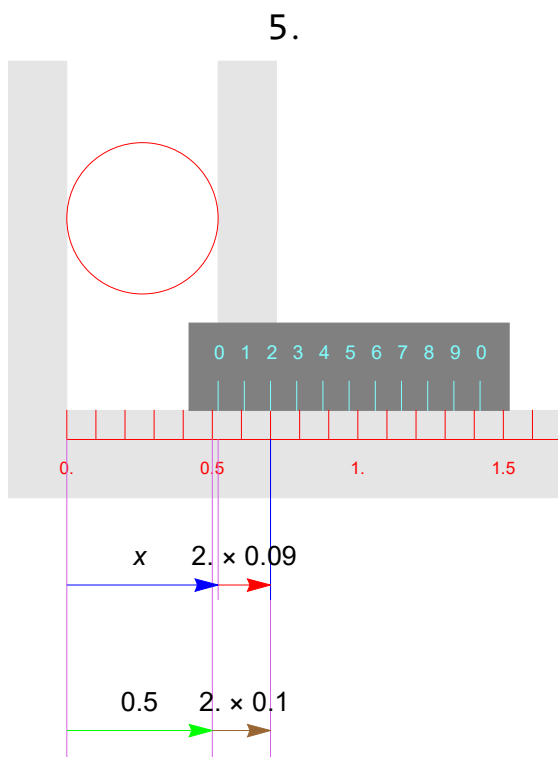
$$x = 0.3 + 8 (0.1 - 0.09) = 0.3 + 0.08 = 0.38$$

4.



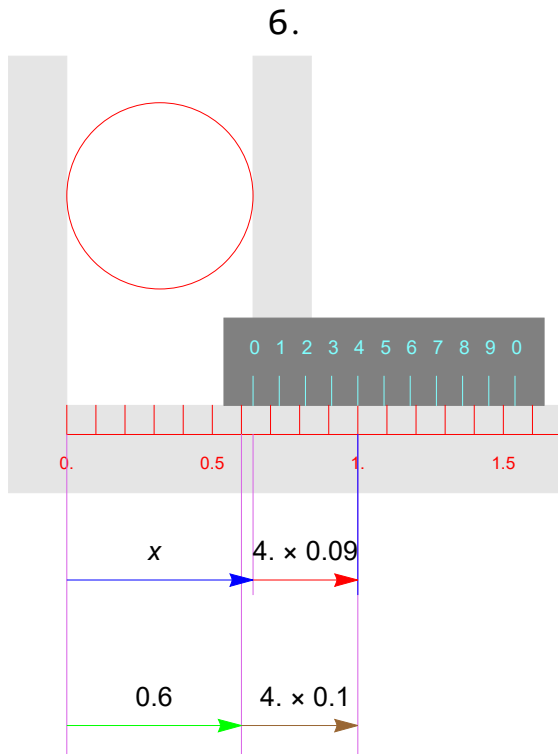
$$x + a = b + c$$

$$x = 0.5 + 5 (0.1 - 0.09) = 0.5 + 0.05 = 0.55$$



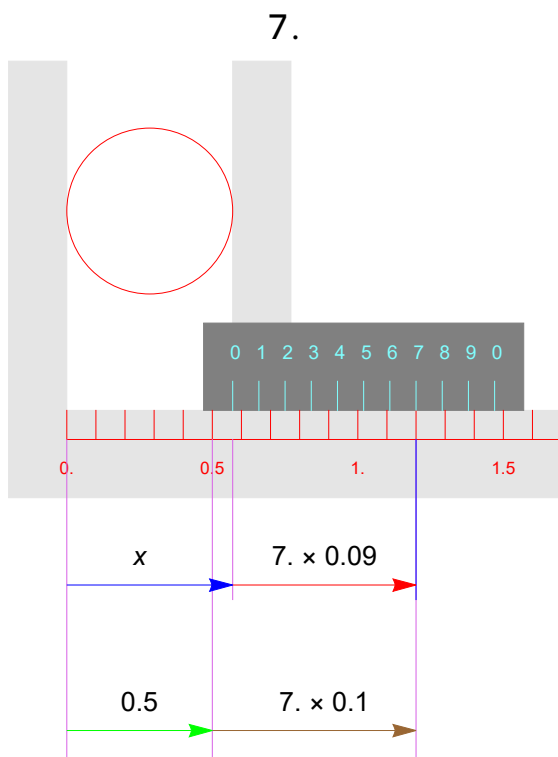
$$x + a = b + c$$

$$x = 0.5 + 2 (0.1 - 0.09) = 0.5 + 0.02 = 0.52$$



$$x + a = b + c$$

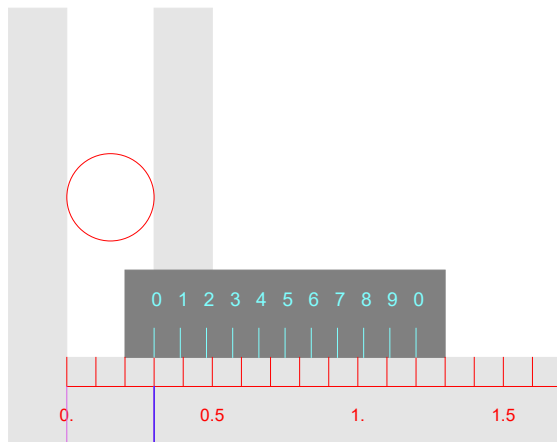
$$x = 0.6 + 4 (0.1 - 0.09) = 0.6 + 0.04 = 0.64$$



$$x + a = b + c$$

$$x = 0.5 + 7 (0.1 - 0.09) = 0.5 + 0.07 = 0.57$$

8.



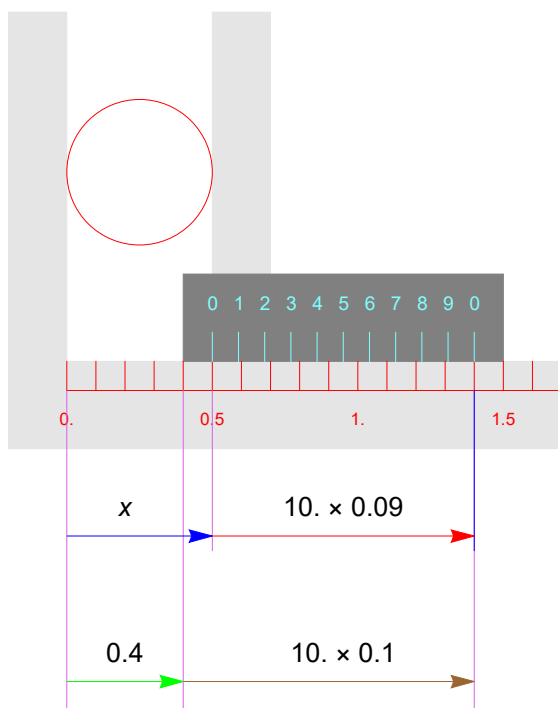
$$-5.55112 \times 10^{-5} - 15$$

$$-5.55112 \times 10^{-5} - 15$$

$$x + a = b + c$$

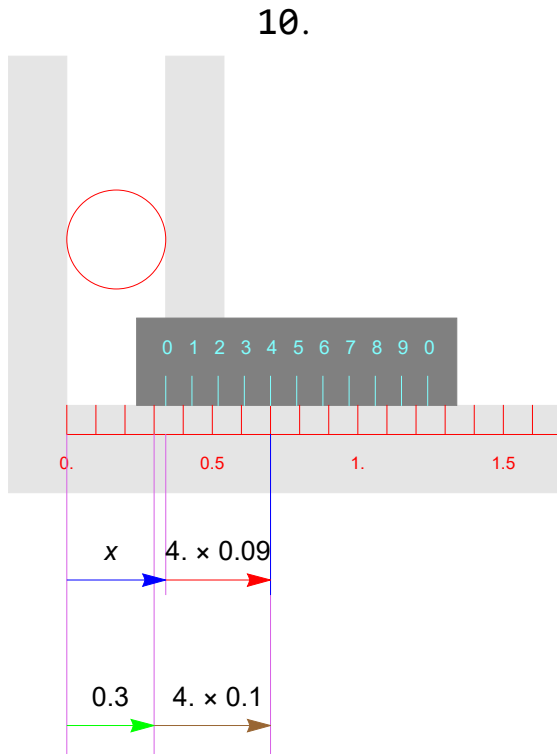
$$= 0.3 + 0(0.1 - 0.09) = 0.3 + -5.55112 \times 10^{-17} = 0$$

9.



$$x + a = b + c$$

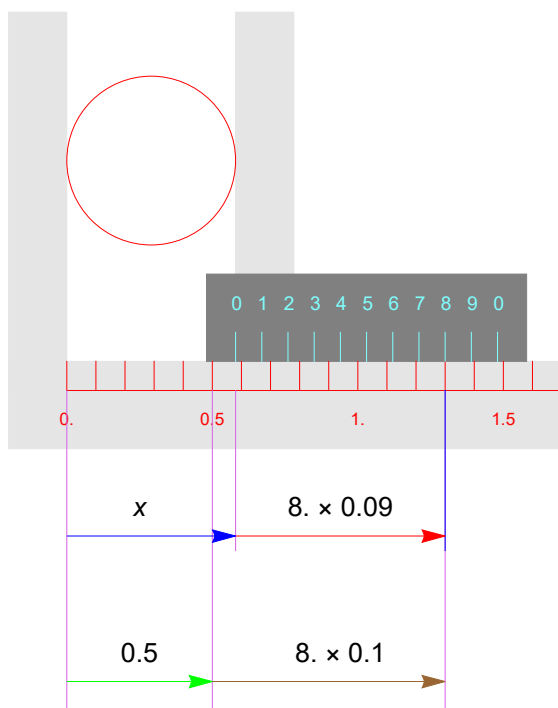
$$x = 0.4 + 10 (0.1 - 0.09) = 0.4 + 0.1 = 0.5$$



$$x + a = b + c$$

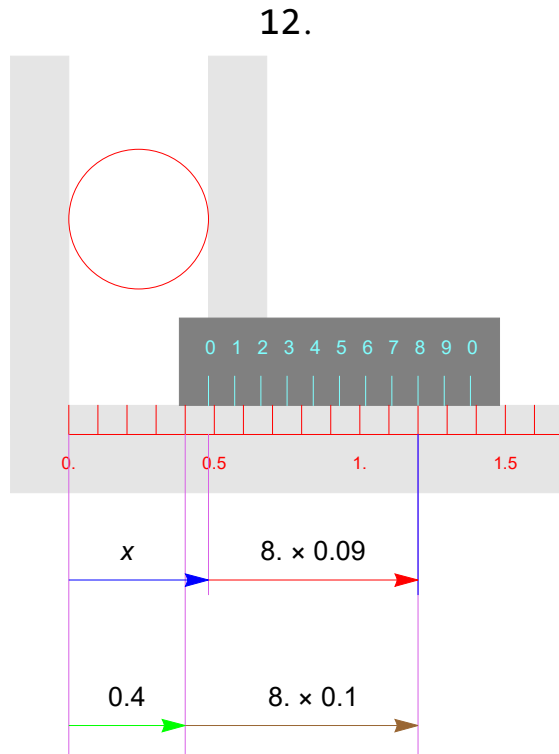
$$x = 0.3 + 4(0.1 - 0.09) = 0.3 + 0.04 = 0.34$$

11.



$$x + a = b + c$$

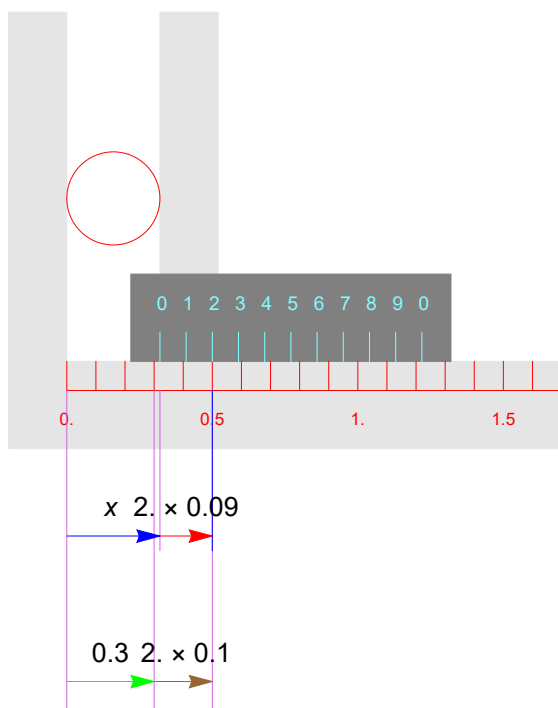
$$x = 0.5 + 8 (0.1 - 0.09) = 0.5 + 0.08 = 0.58$$



$$x + a = b + c$$

$$x = 0.4 + 8 (0.1 - 0.09) = 0.4 + 0.08 = 0.48$$

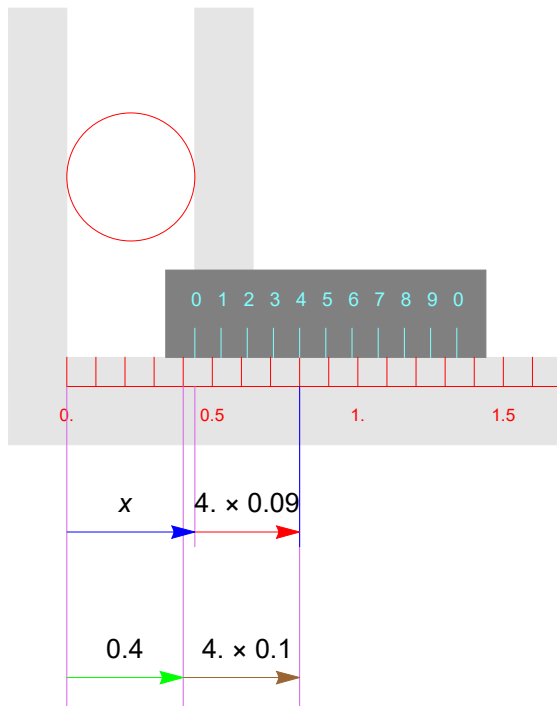
13.



$$x + a = b + c$$

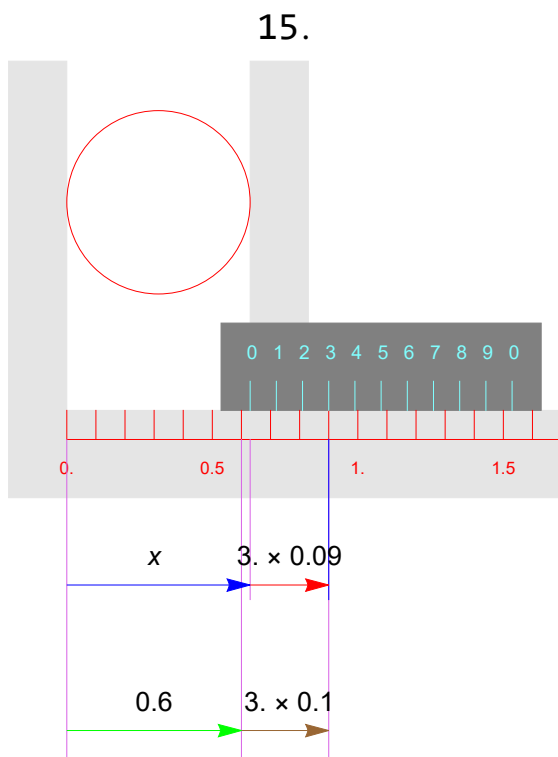
$$x = 0.3 + 2(0.1 - 0.09) = 0.3 + 0.02 = 0.32$$

14.



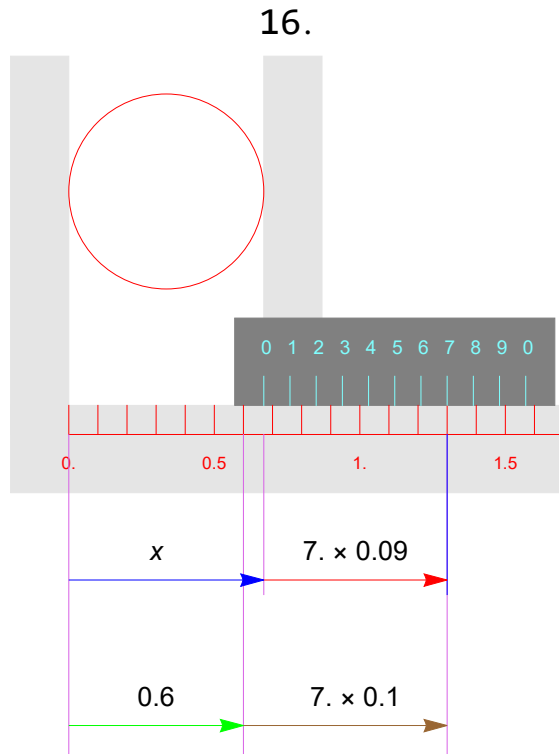
$$x + a = b + c$$

$$x = 0.4 + 4 (0.1 - 0.09) = 0.4 + 0.04 = 0.44$$



$$x + a = b + c$$

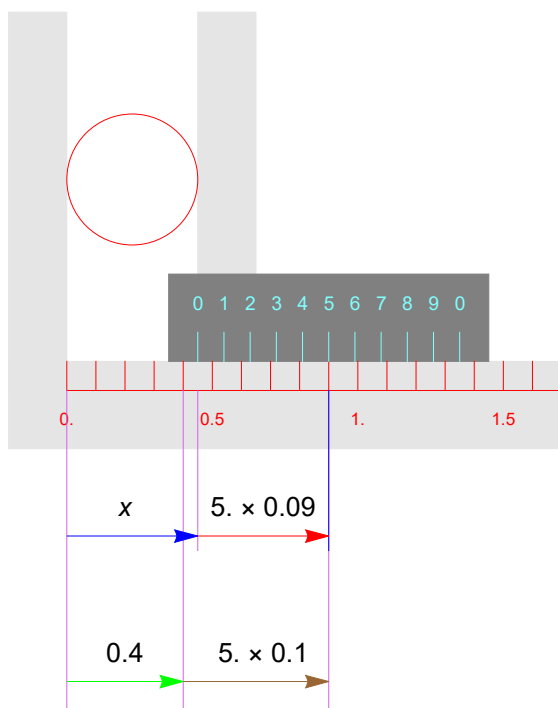
$$x = 0.6 + 3(0.1 - 0.09) = 0.6 + 0.03 = 0.63$$



$$x + a = b + c$$

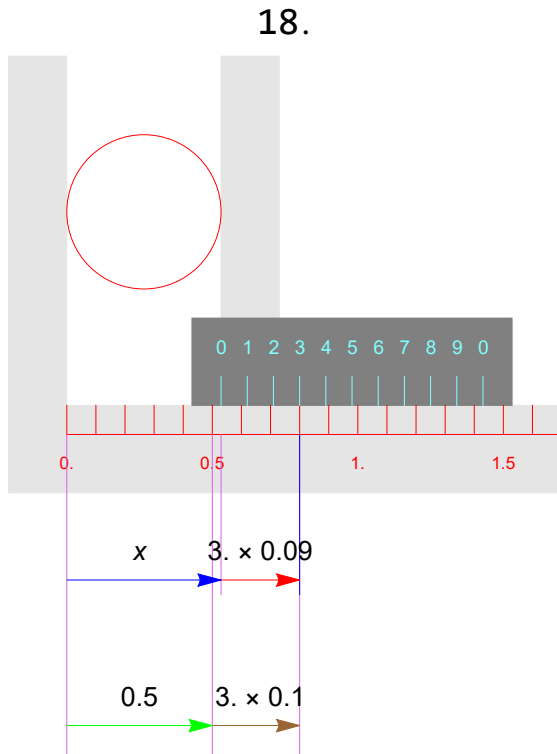
$$x = 0.6 + 7(0.1 - 0.09) = 0.6 + 0.07 = 0.67$$

17.



$$x + a = b + c$$

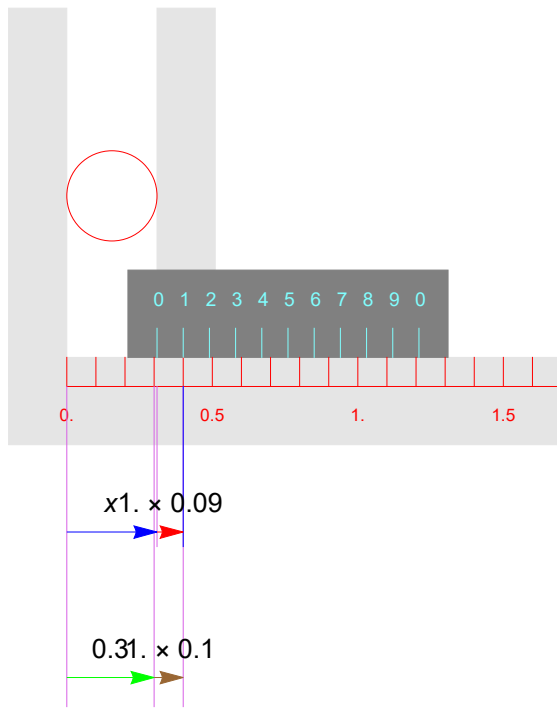
$$x = 0.4 + 5 (0.1 - 0.09) = 0.4 + 0.05 = 0.45$$



$$x + a = b + c$$

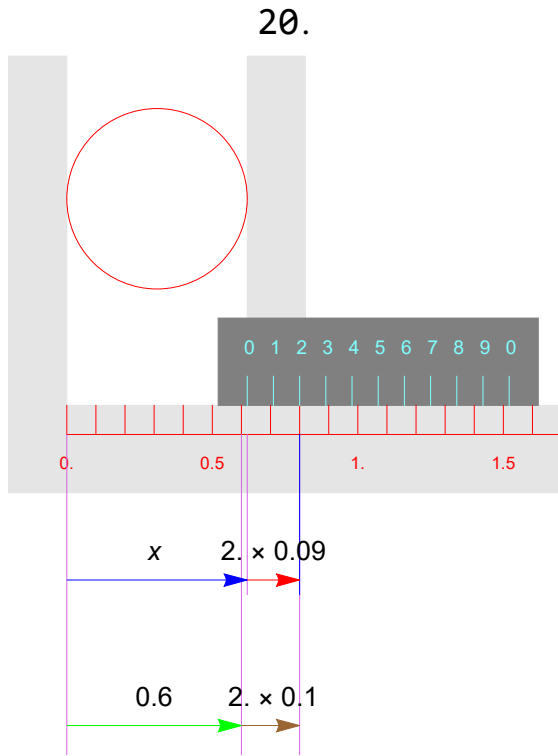
$$x = 0.5 + 3(0.1 - 0.09) = 0.5 + 0.03 = 0.53$$

19.



$$x + a = b + c$$

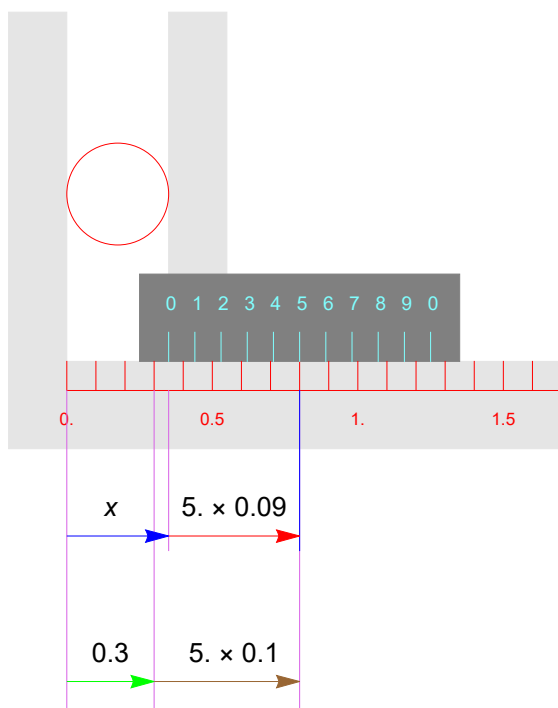
$$x = 0.3 + 1 (0.1 - 0.09) = 0.3 + 0.01 = 0.31$$



$$x + a = b + c$$

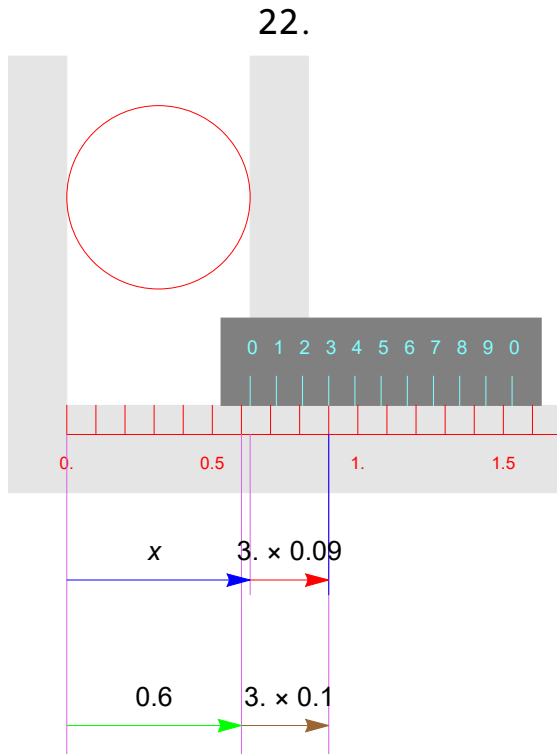
$$x = 0.6 + 2(0.1 - 0.09) = 0.6 + 0.02 = 0.62$$

21.



$$x + a = b + c$$

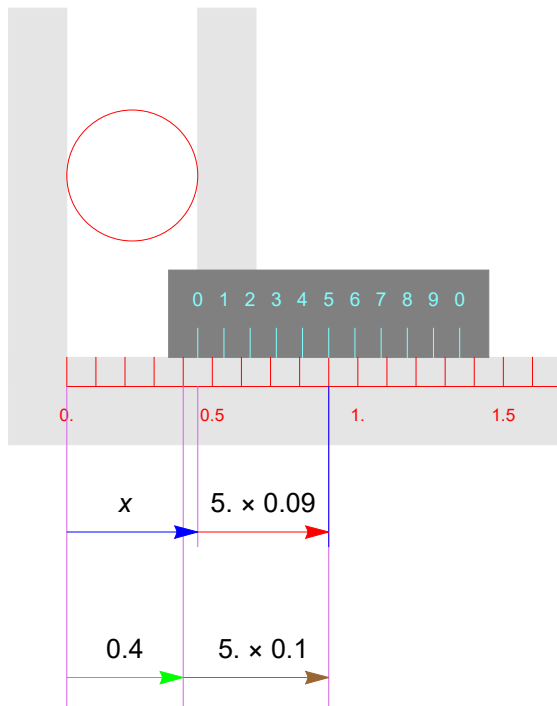
$$x = 0.3 + 5 (0.1 - 0.09) = 0.3 + 0.05 = 0.35$$



$$x + a = b + c$$

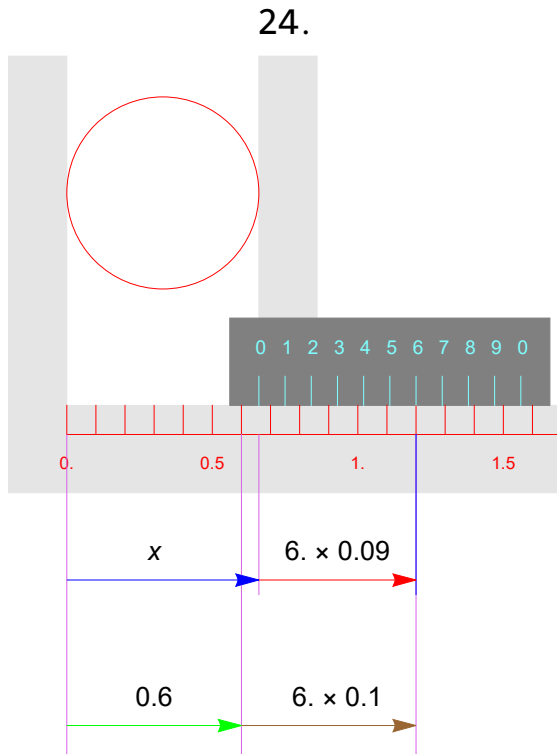
$$x = 0.6 + 3(0.1 - 0.09) = 0.6 + 0.03 = 0.63$$

23.



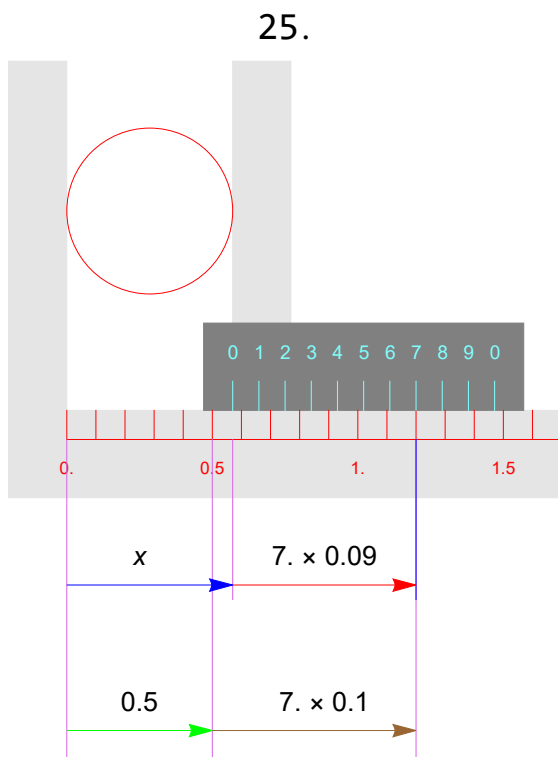
$$x + a = b + c$$

$$x = 0.4 + 5 (0.1 - 0.09) = 0.4 + 0.05 = 0.45$$



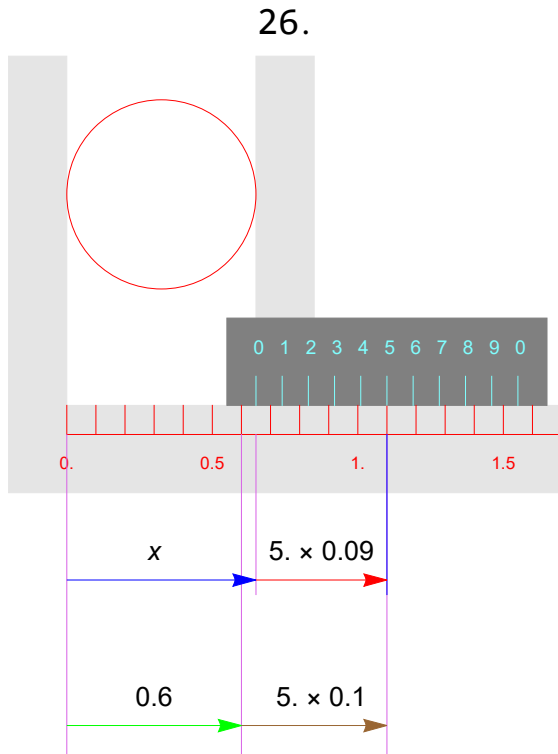
$$x + a = b + c$$

$$x = 0.6 + 6 (0.1 - 0.09) = 0.6 + 0.06 = 0.66$$



$$x + a = b + c$$

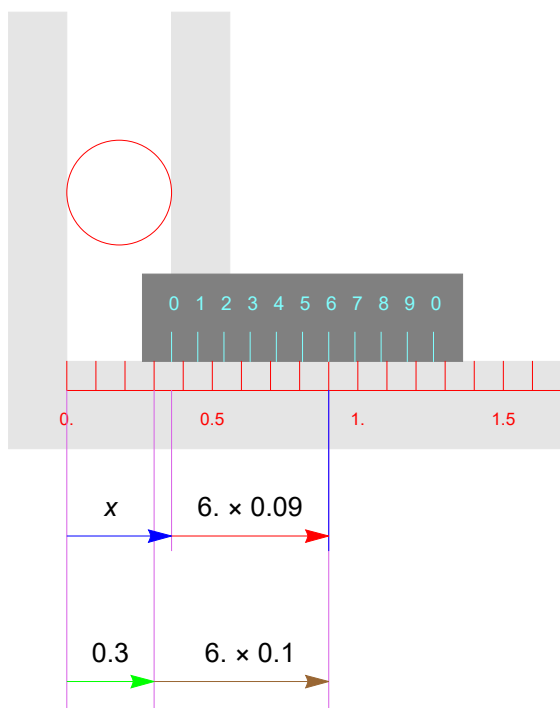
$$x = 0.5 + 7 (0.1 - 0.09) = 0.5 + 0.07 = 0.57$$



$$x + a = b + c$$

$$x = 0.6 + 5 (0.1 - 0.09) = 0.6 + 0.05 = 0.65$$

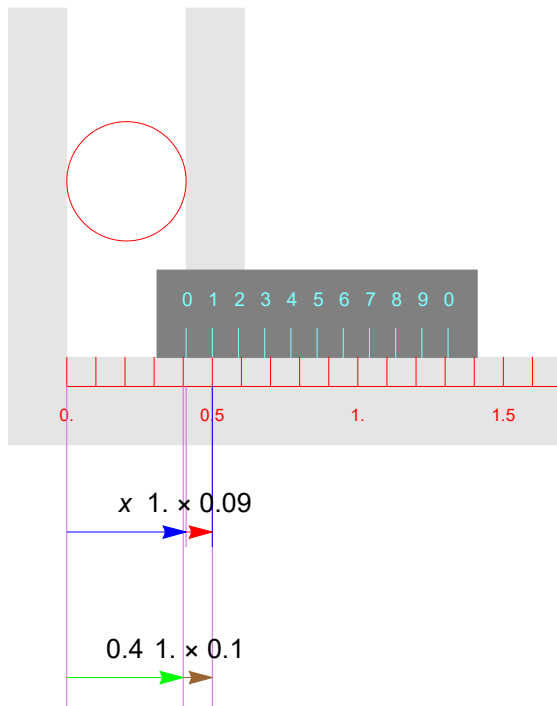
27.



$$x + a = b + c$$

$$x = 0.3 + 6 (0.1 - 0.09) = 0.3 + 0.06 = 0.36$$

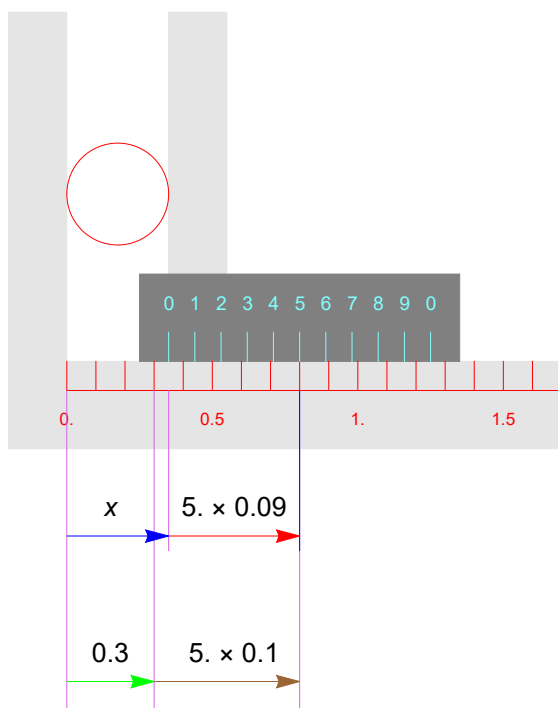
28.



$$x + a = b + c$$

$$x = 0.4 + 1 (0.1 - 0.09) = 0.4 + 0.01 = 0.41$$

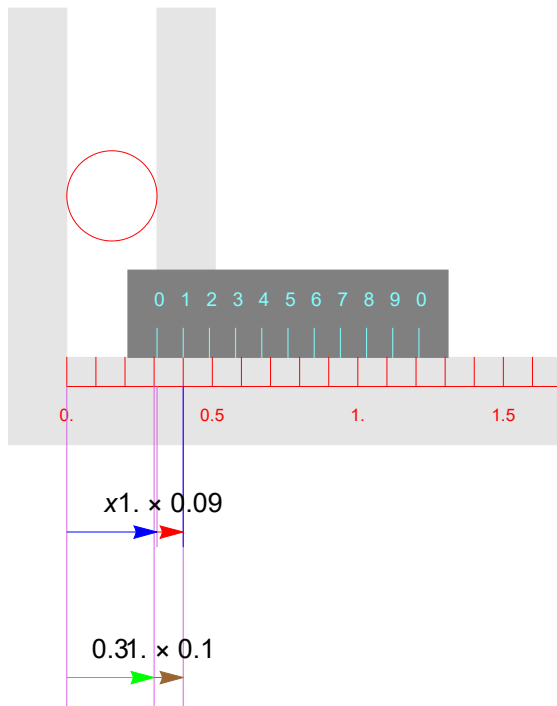
29.



$$x + a = b + c$$

$$x = 0.3 + 5 (0.1 - 0.09) = 0.3 + 0.05 = 0.35$$

30.



$$x + a = b + c$$

$$x = 0.3 + 1 (0.1 - 0.09) = 0.3 + 0.01 = 0.31$$