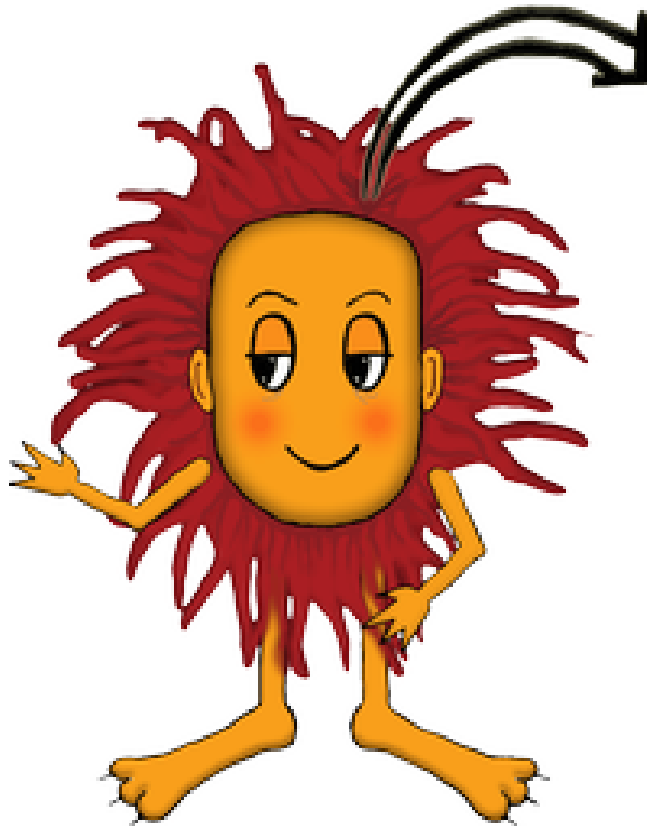


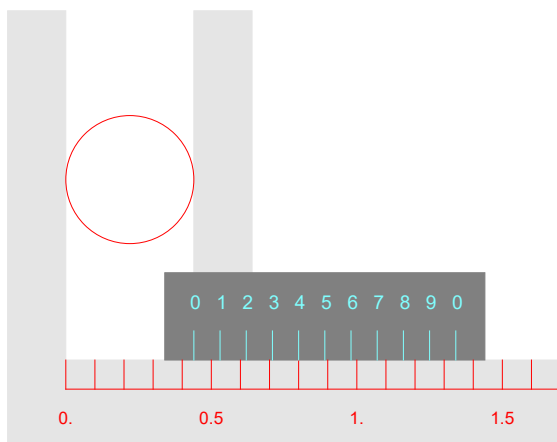
Velika logična pošast



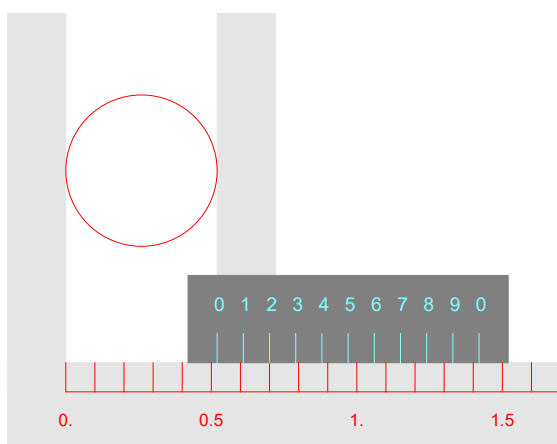
## Merjenje s kljunastim merilom

S kljunastim merilom merimo tako, da celoštevilski del preberemo na glavni lestvici, prvo decimalko pa na pomični (Vernierjevi) lestvici, kjer se lestvici najbolj ujemata.

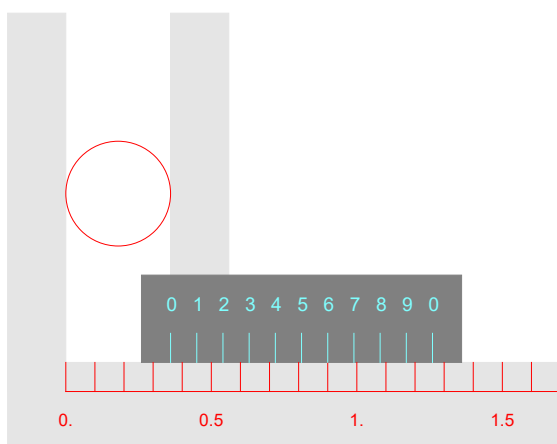
1.



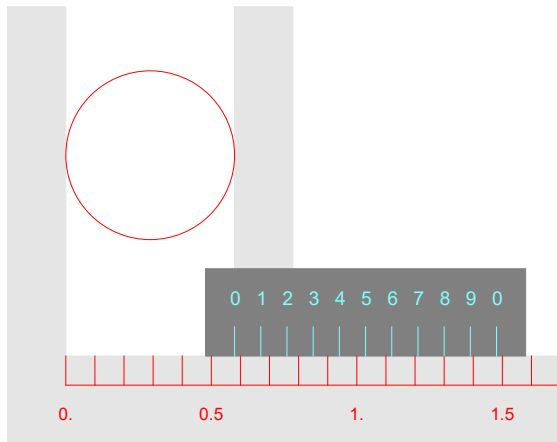
2.



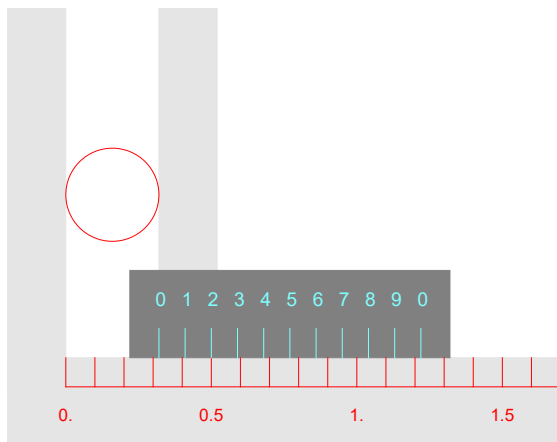
3.



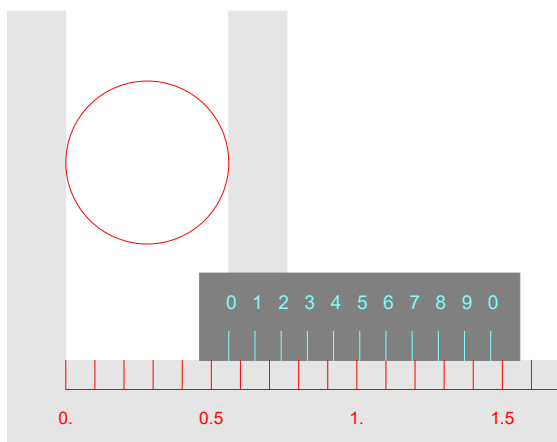
4.



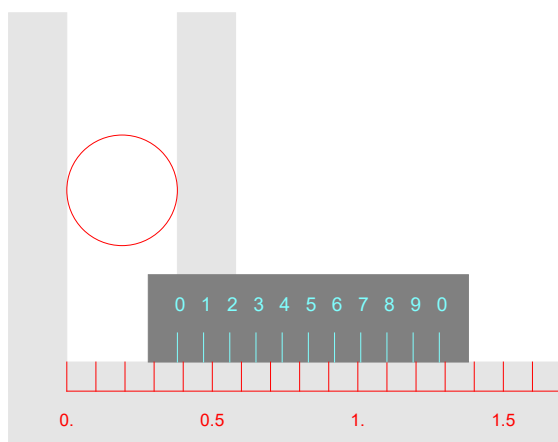
5.



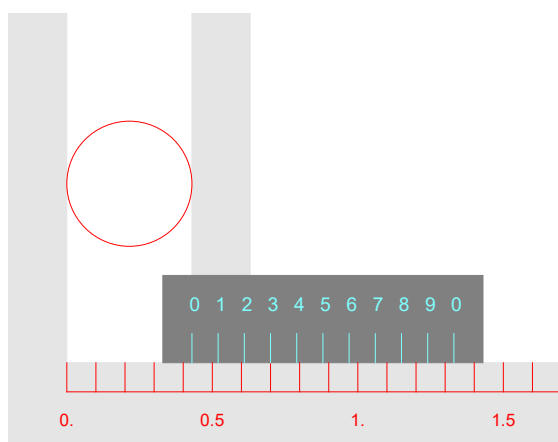
6.



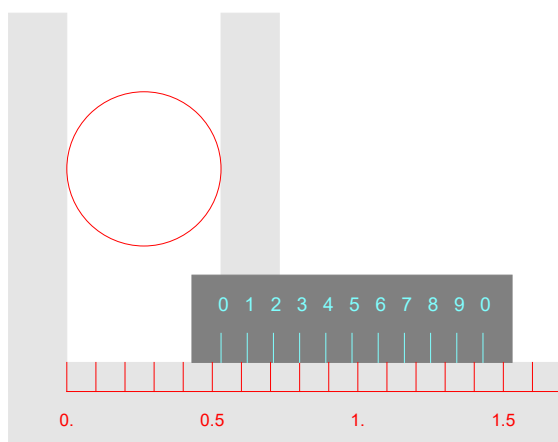
7.



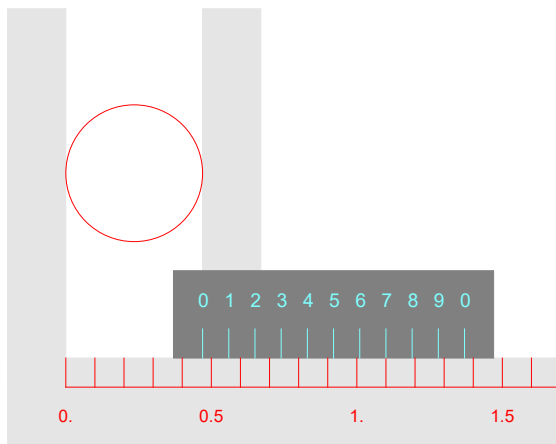
8.



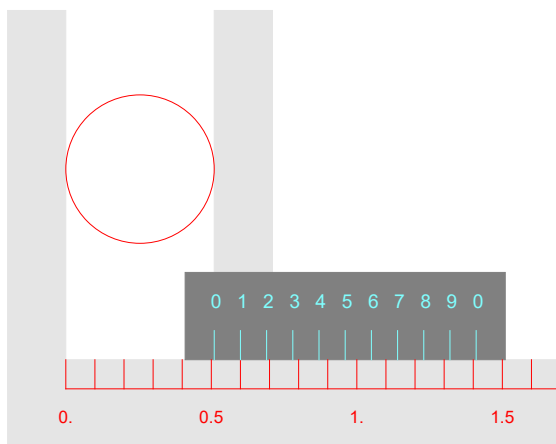
9.



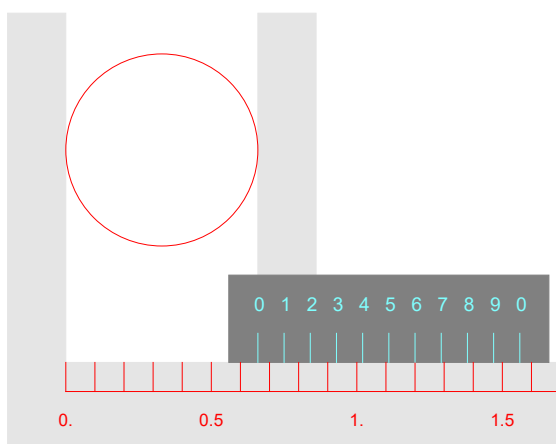
10.



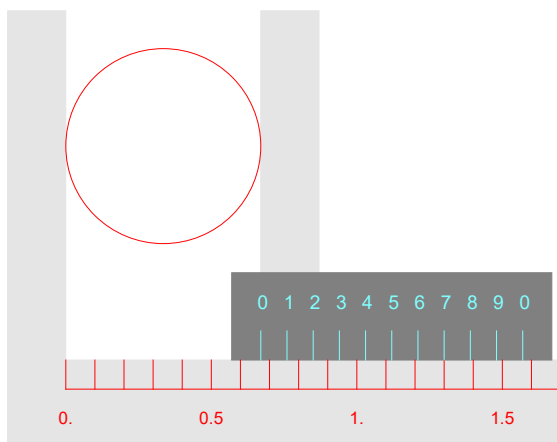
11.



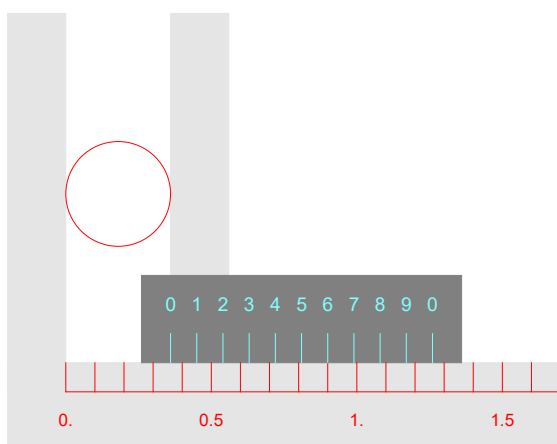
12.



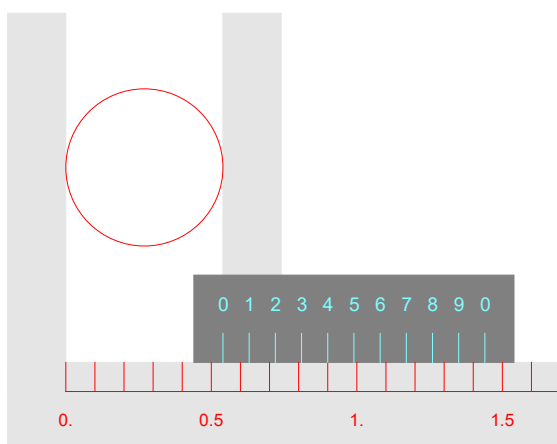
13.



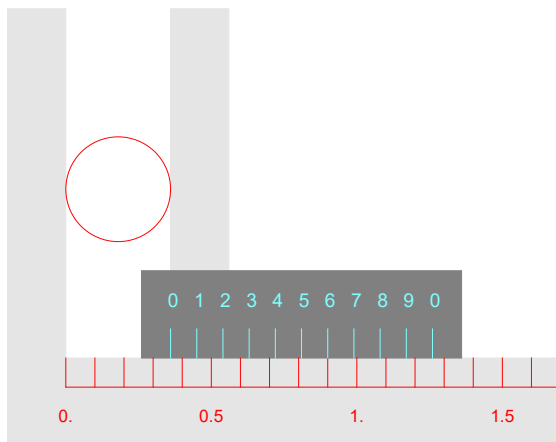
14.



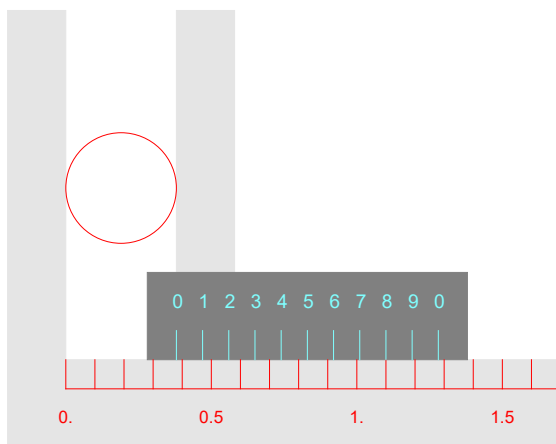
15.



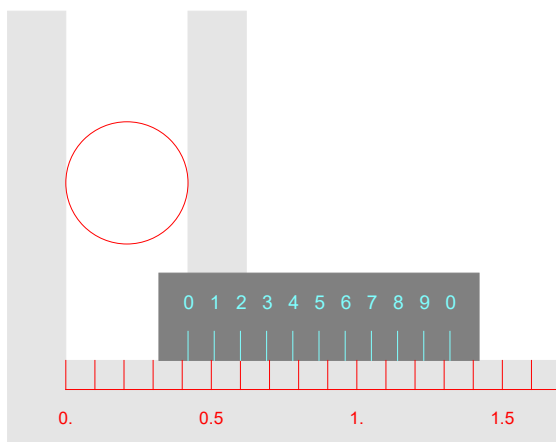
16.



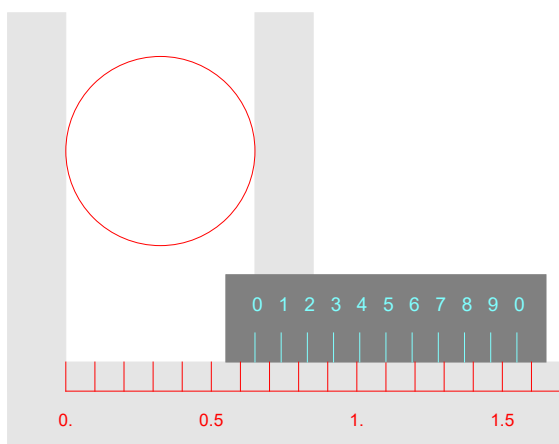
17.



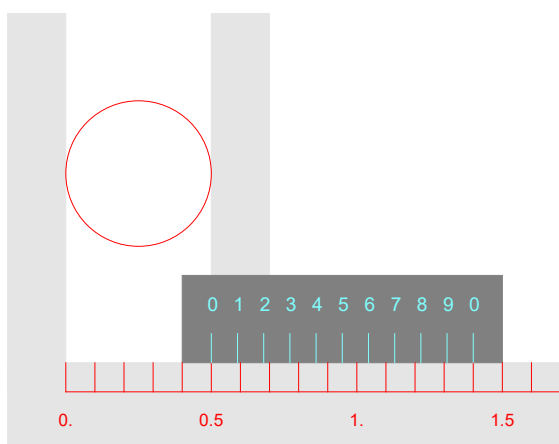
18.



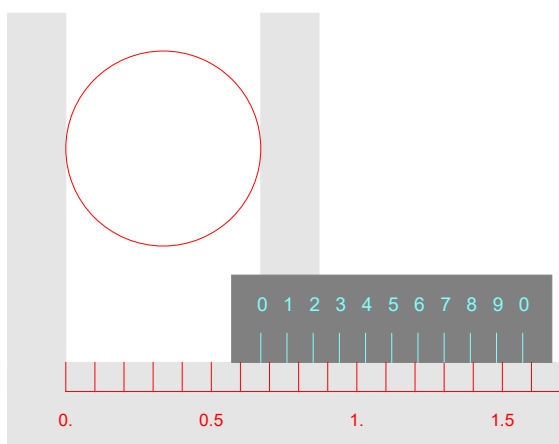
19.



20.

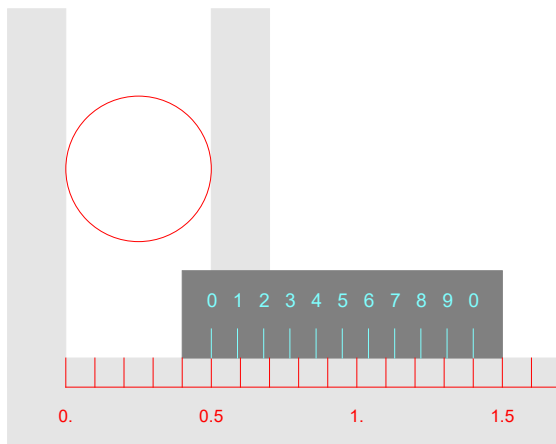


21.

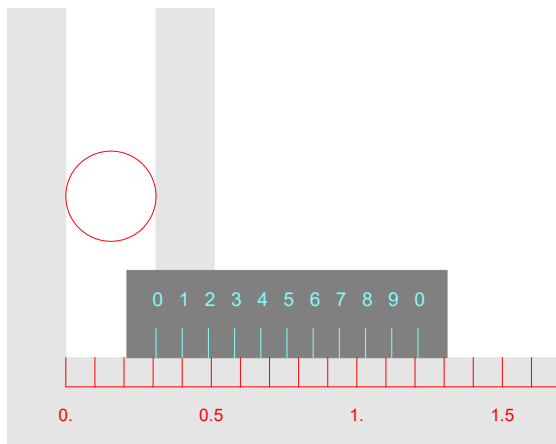




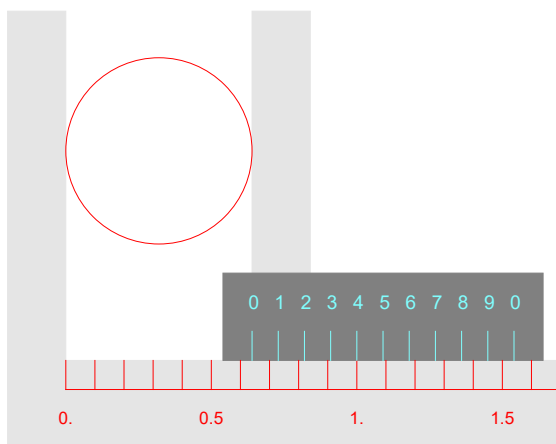
22.



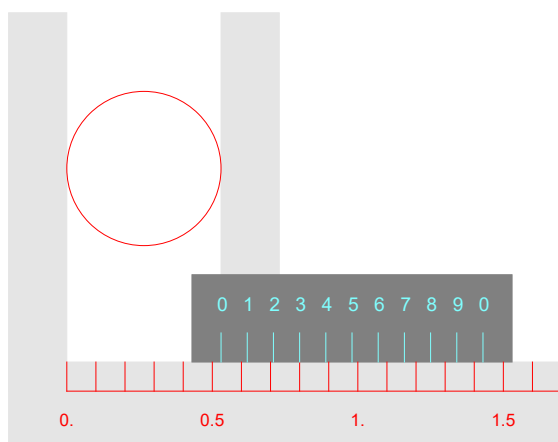
23.



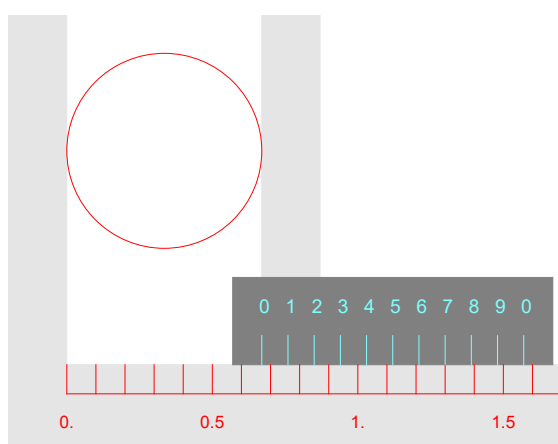
24.



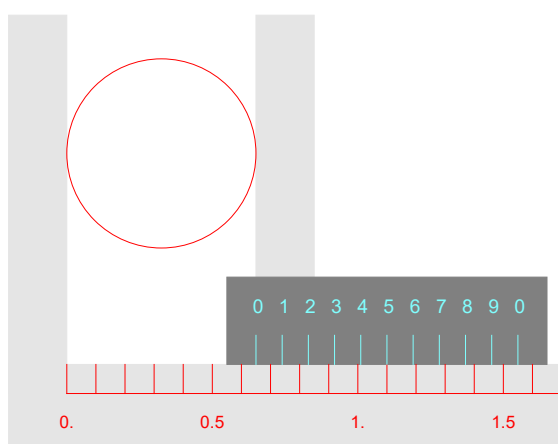
25.



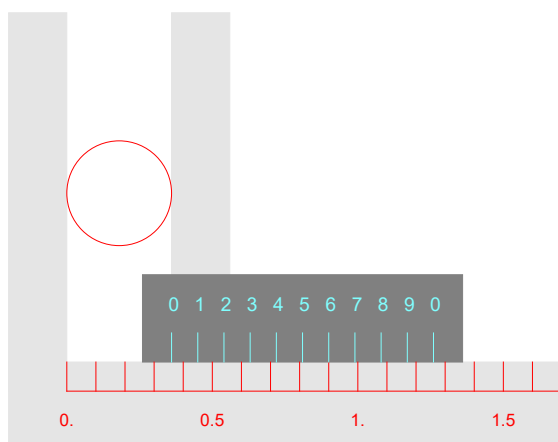
26.



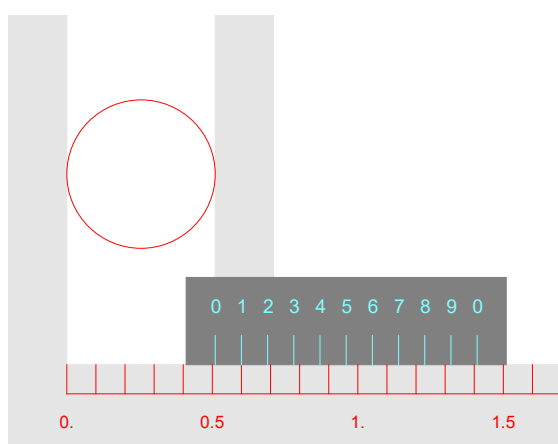
27.



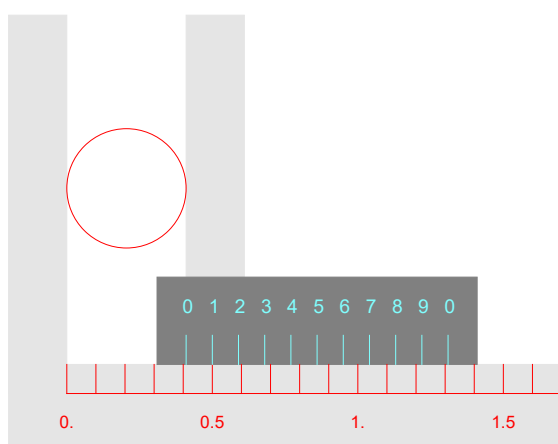
28.



29.

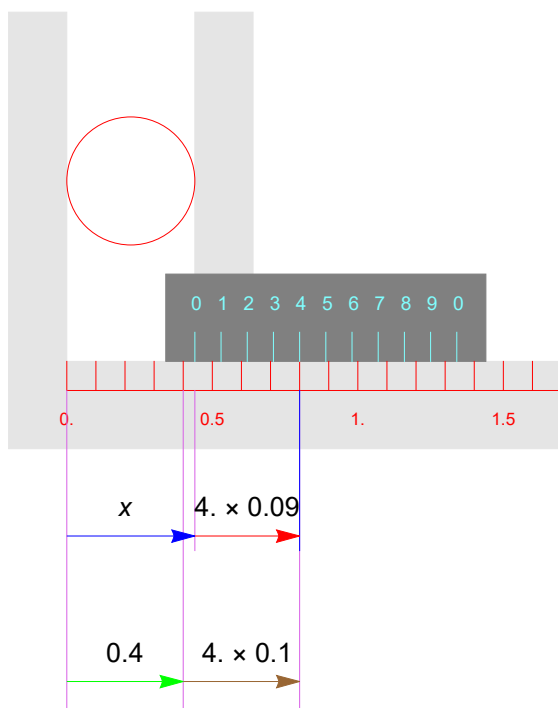


30.



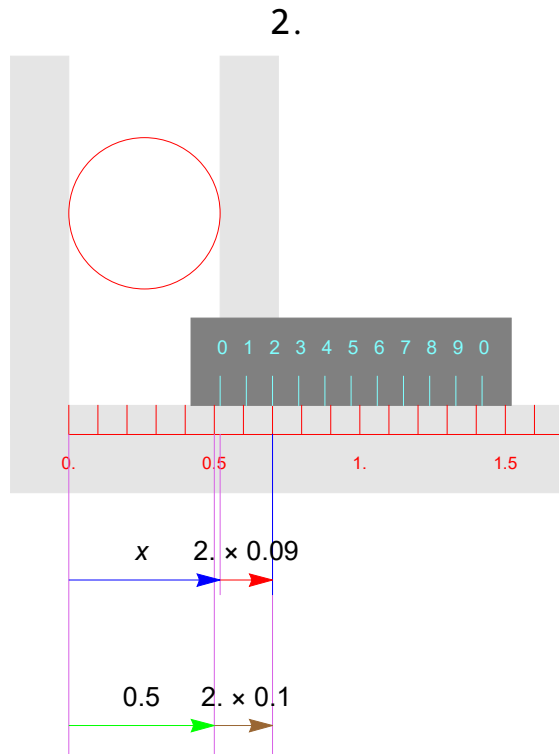
Rešitve:

1.



$$x + a = b + c$$

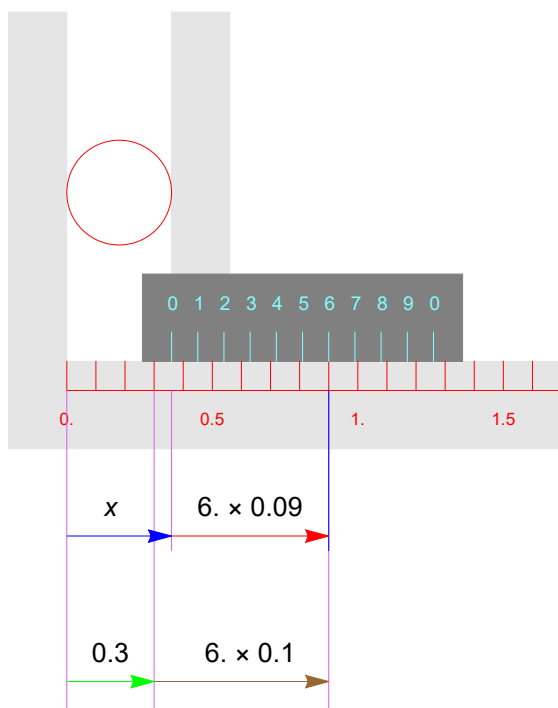
$$x = 0.4 + 4 (0.1 - 0.09) = 0.4 + 0.04 = 0.44$$



$$x + a = b + c$$

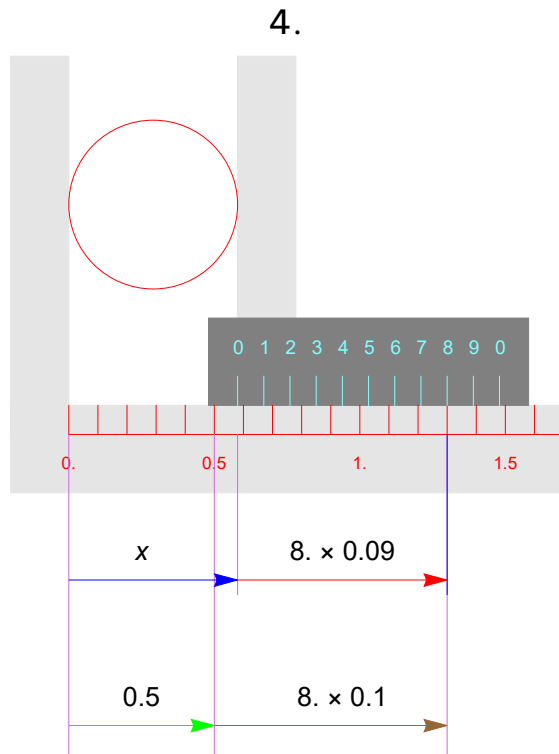
$$x = 0.5 + 2(0.1 - 0.09) = 0.5 + 0.02 = 0.52$$

3.



$$x + a = b + c$$

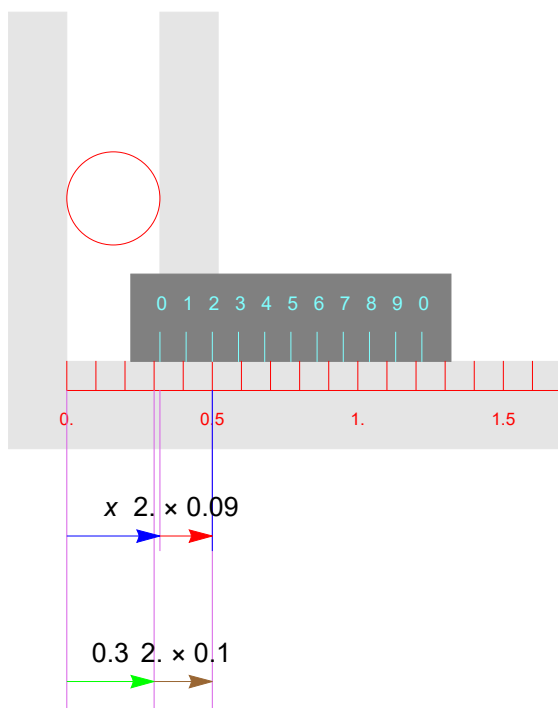
$$x = 0.3 + 6 (0.1 - 0.09) = 0.3 + 0.06 = 0.36$$



$$x + a = b + c$$

$$x = 0.5 + 8(0.1 - 0.09) = 0.5 + 0.08 = 0.58$$

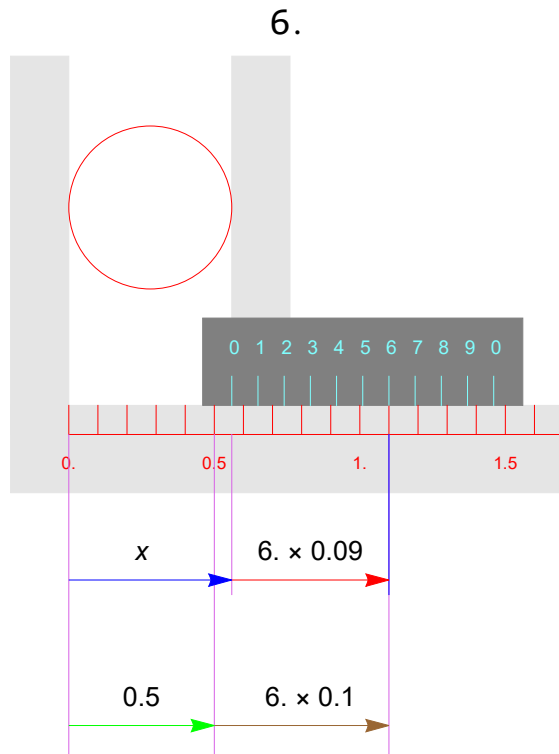
5.



$$x + a = b + c$$

$$x = 0.3 + 2(0.1 - 0.09) = 0.3 + 0.02 = 0.32$$

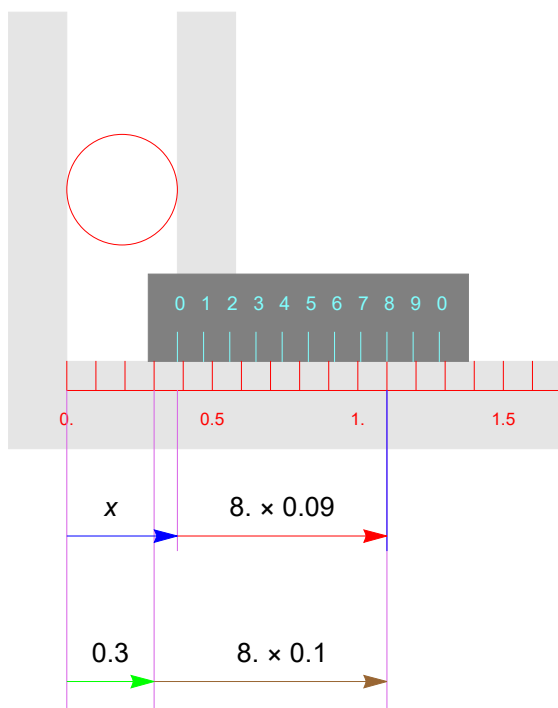




$$x + a = b + c$$

$$x = 0.5 + 6 (0.1 - 0.09) = 0.5 + 0.06 = 0.56$$

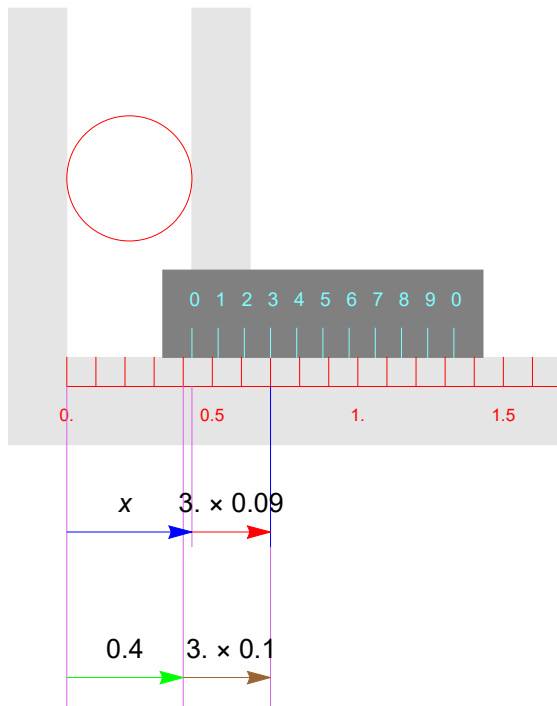
7.



$$x + a = b + c$$

$$x = 0.3 + 8 (0.1 - 0.09) = 0.3 + 0.08 = 0.38$$

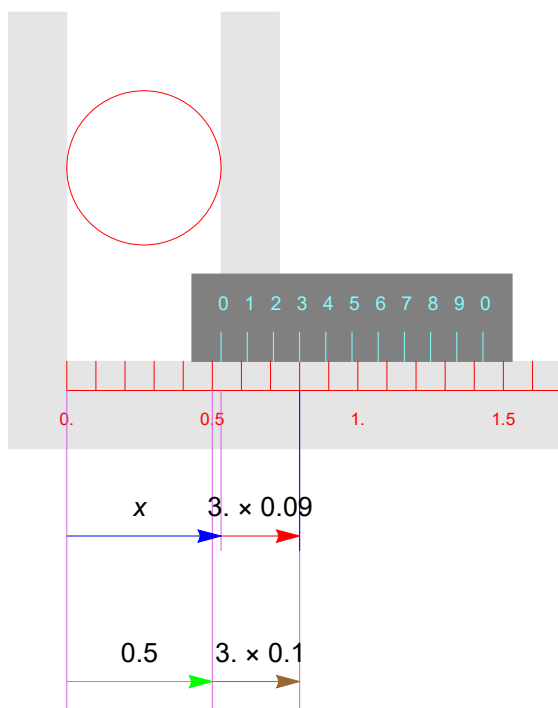
8.



$$x + a = b + c$$

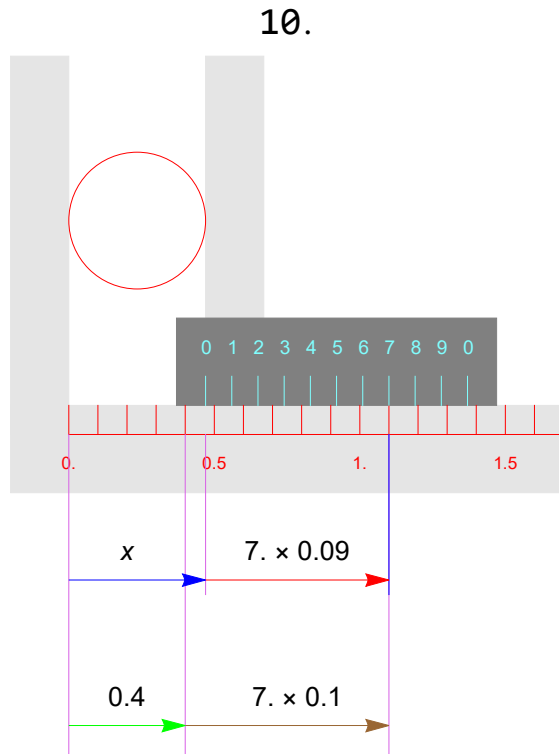
$$x = 0.4 + 3 (0.1 - 0.09) = 0.4 + 0.03 = 0.43$$

9.



$$x + a = b + c$$

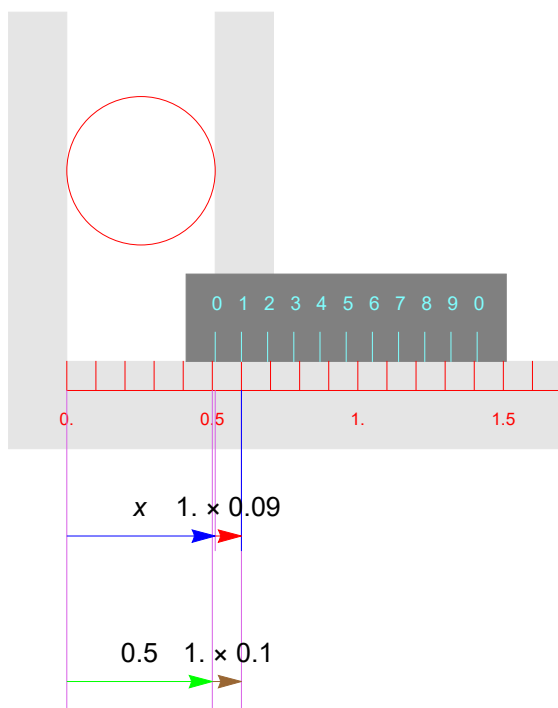
$$x = 0.5 + 3(0.1 - 0.09) = 0.5 + 0.03 = 0.53$$



$$x + a = b + c$$

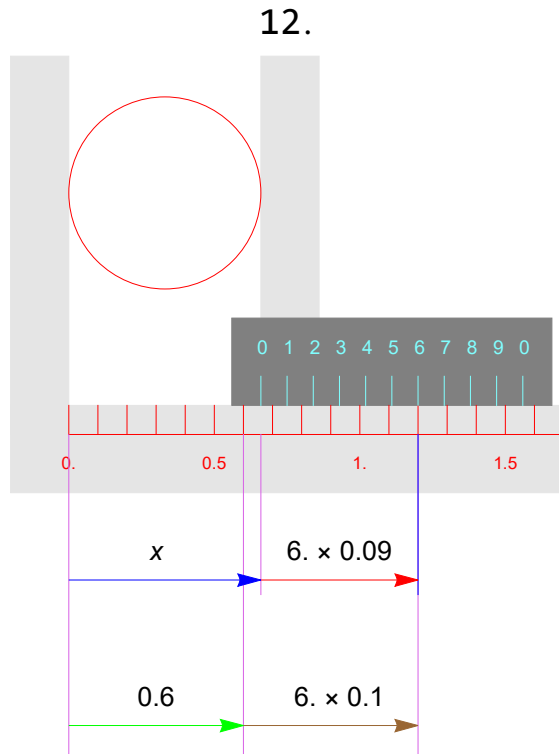
$$x = 0.4 + 7 (0.1 - 0.09) = 0.4 + 0.07 = 0.47$$

11.



$$x + a = b + c$$

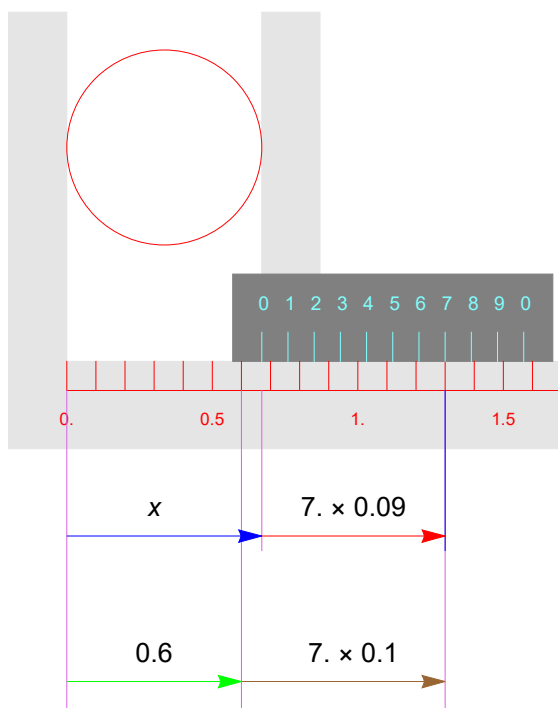
$$x = 0.5 + 1 (0.1 - 0.09) = 0.5 + 0.01 = 0.51$$



$$x + a = b + c$$

$$x = 0.6 + 6 (0.1 - 0.09) = 0.6 + 0.06 = 0.66$$

13.

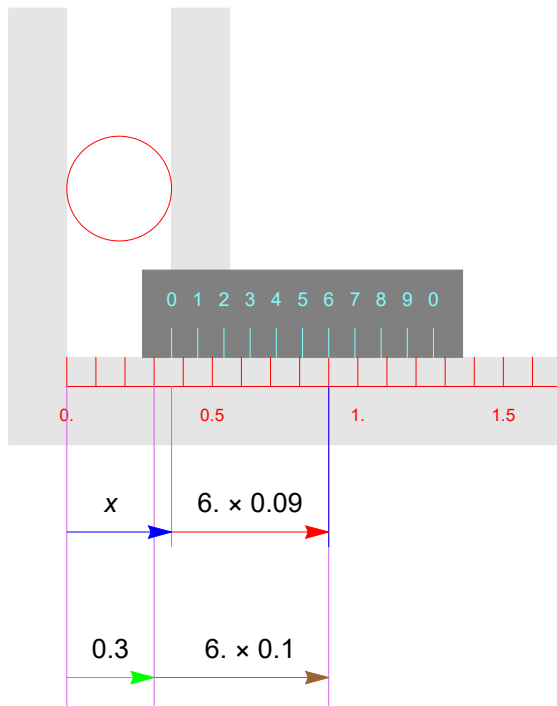


$$x + a = b + c$$

$$x = 0.6 + 7 (0.1 - 0.09) = 0.6 + 0.07 = 0.67$$

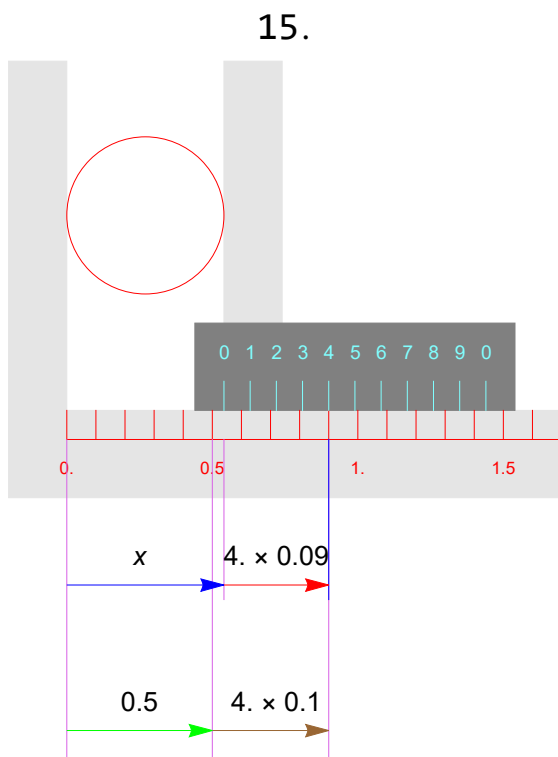


14.



$$x + a = b + c$$

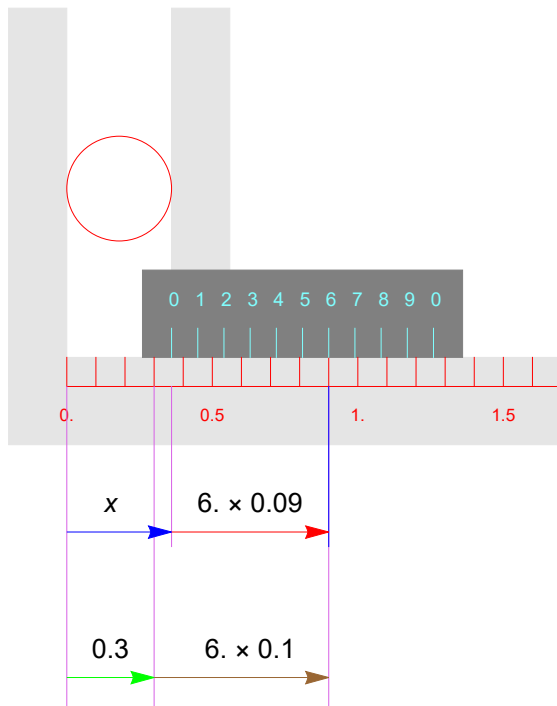
$$x = 0.3 + 6 (0.1 - 0.09) = 0.3 + 0.06 = 0.36$$



$$x + a = b + c$$

$$x = 0.5 + 4 (0.1 - 0.09) = 0.5 + 0.04 = 0.54$$

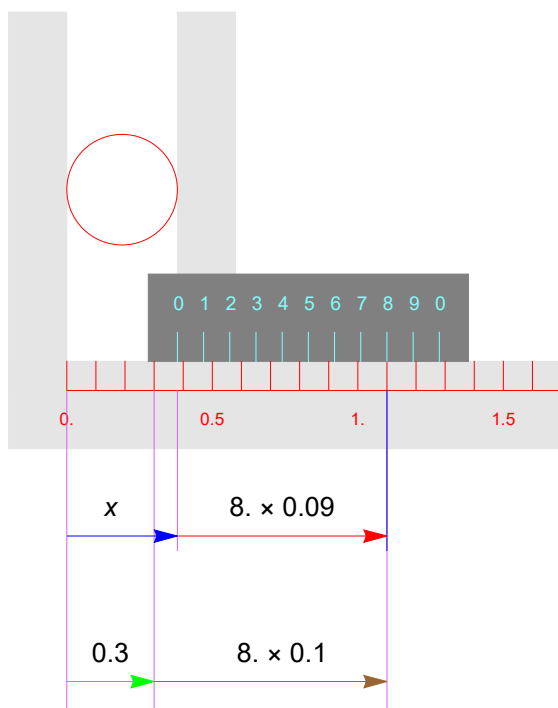
16.



$$x + a = b + c$$

$$x = 0.3 + 6 (0.1 - 0.09) = 0.3 + 0.06 = 0.36$$

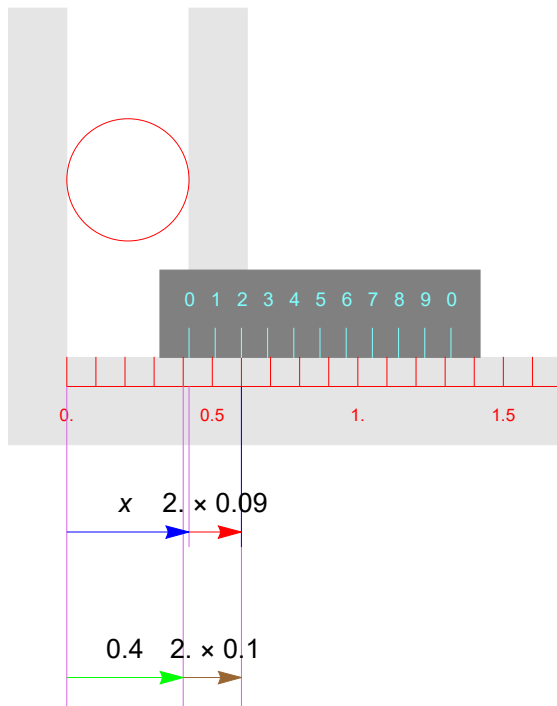
17.



$$x + a = b + c$$

$$x = 0.3 + 8 (0.1 - 0.09) = 0.3 + 0.08 = 0.38$$

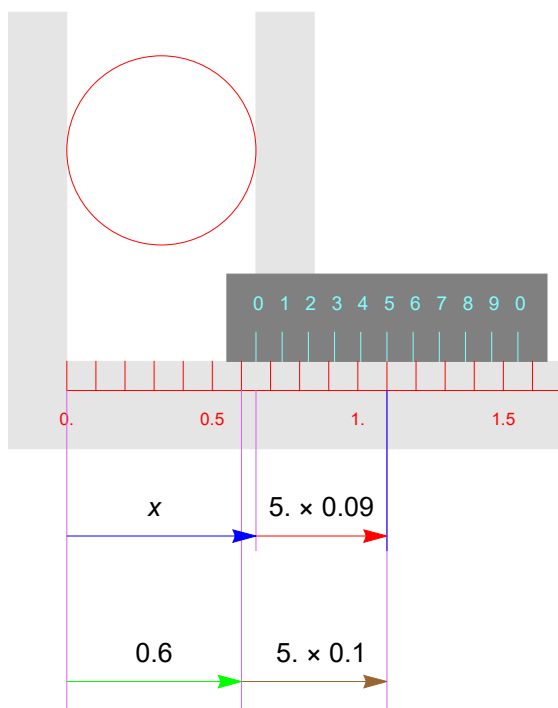
18.



$$x + a = b + c$$

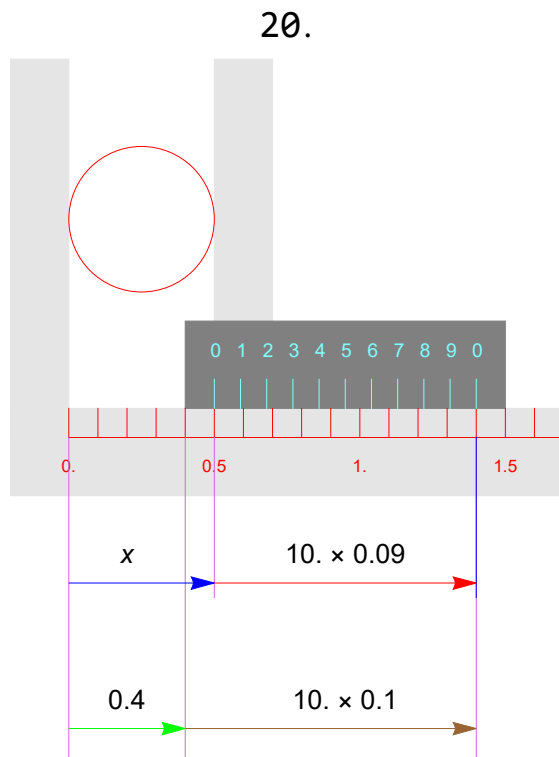
$$x = 0.4 + 2(0.1 - 0.09) = 0.4 + 0.02 = 0.42$$

19.



$$x + a = b + c$$

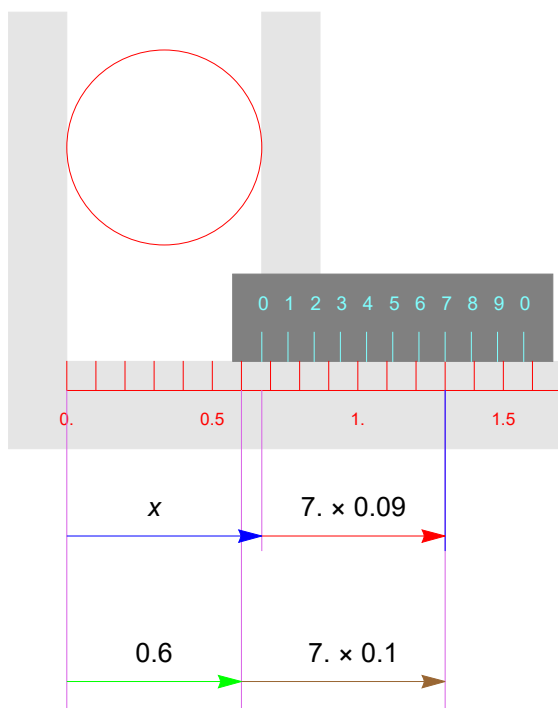
$$x = 0.6 + 5 (0.1 - 0.09) = 0.6 + 0.05 = 0.65$$



$$x + a = b + c$$

$$x = 0.4 + 10 (0.1 - 0.09) = 0.4 + 0.1 = 0.5$$

21.

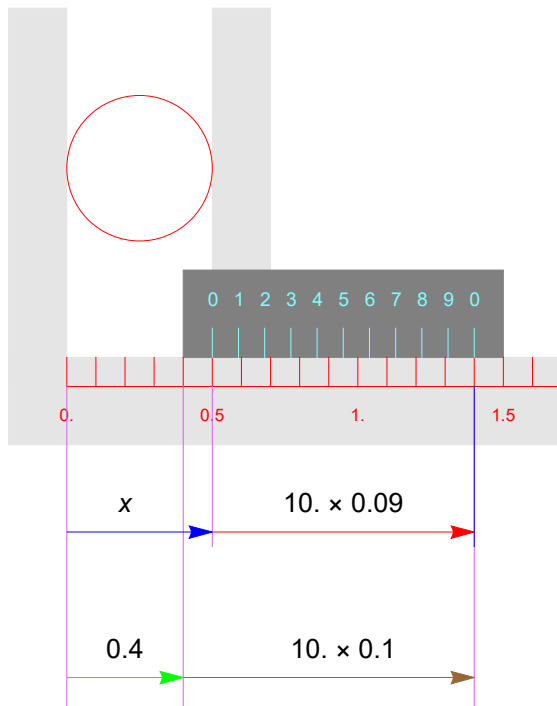


$$x + a = b + c$$

$$x = 0.6 + 7(0.1 - 0.09) = 0.6 + 0.07 = 0.67$$



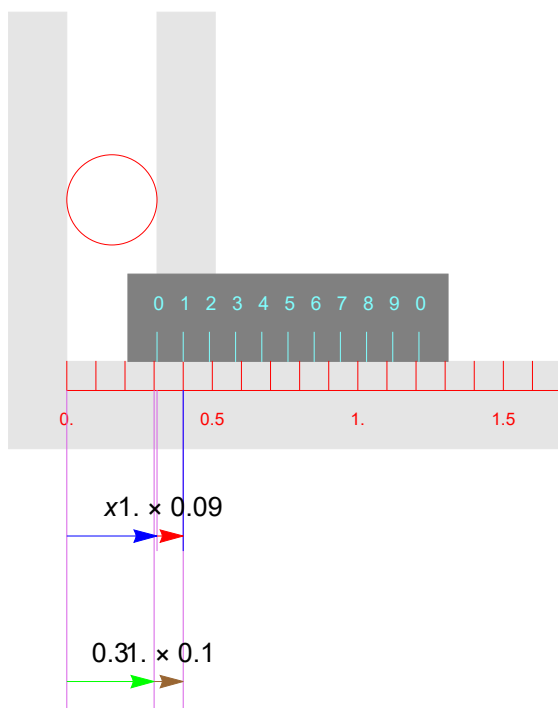
22.



$$x + a = b + c$$

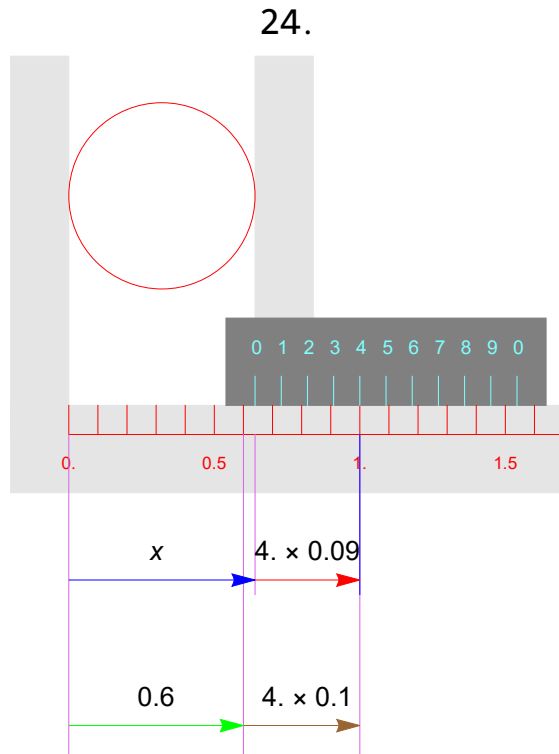
$$x = 0.4 + 10 (0.1 - 0.09) = 0.4 + 0.1 = 0.5$$

23.



$$x + a = b + c$$

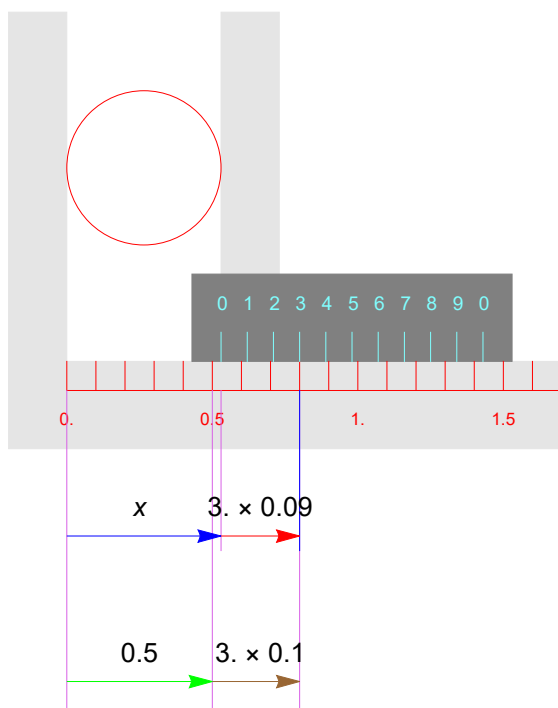
$$x = 0.3 + 1 (0.1 - 0.09) = 0.3 + 0.01 = 0.31$$



$$x + a = b + c$$

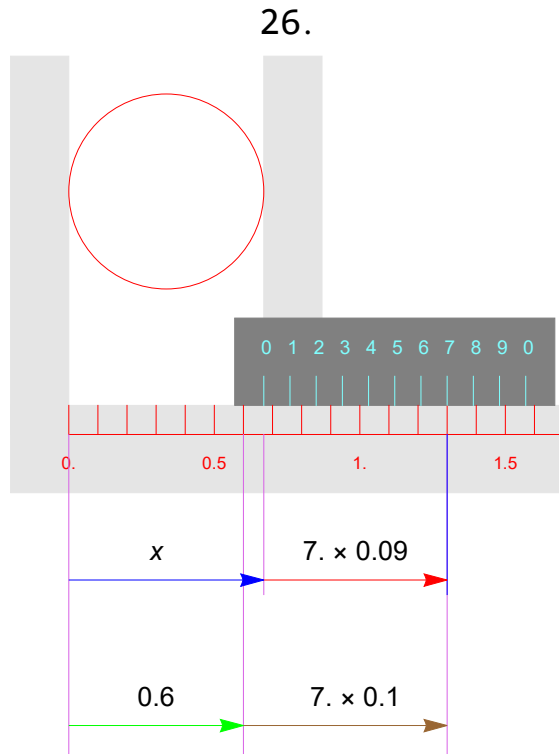
$$x = 0.6 + 4 (0.1 - 0.09) = 0.6 + 0.04 = 0.64$$

25.



$$x + a = b + c$$

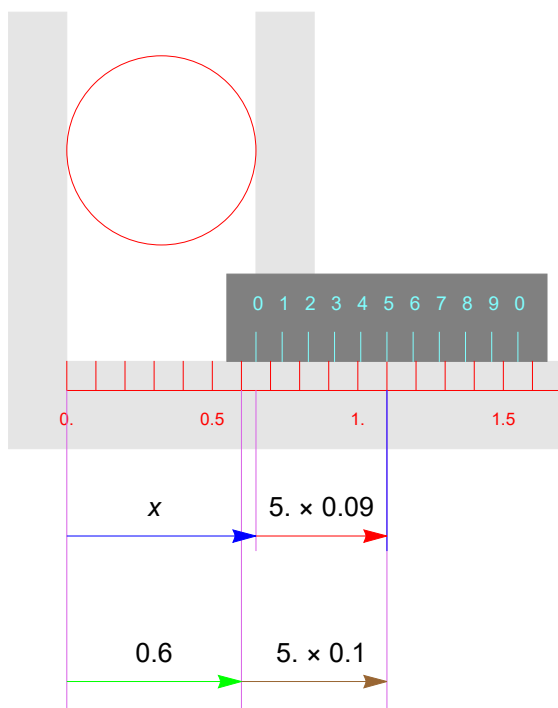
$$x = 0.5 + 3(0.1 - 0.09) = 0.5 + 0.03 = 0.53$$



$$x + a = b + c$$

$$x = 0.6 + 7(0.1 - 0.09) = 0.6 + 0.07 = 0.67$$

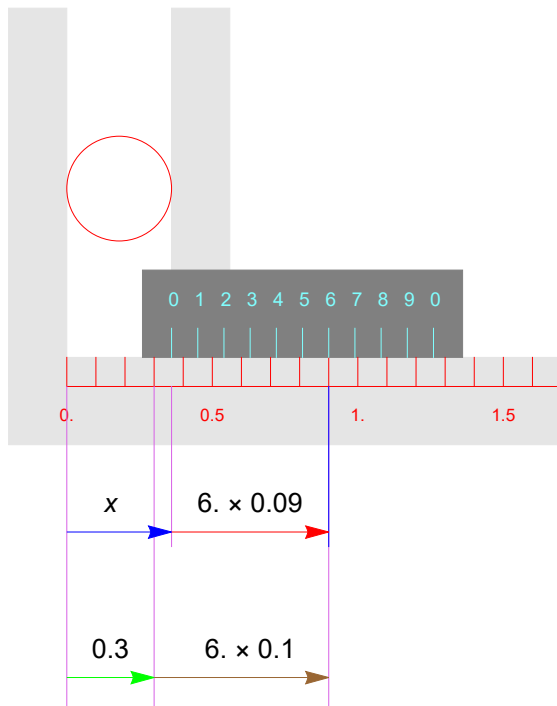
27.



$$x + a = b + c$$

$$x = 0.6 + 5 (0.1 - 0.09) = 0.6 + 0.05 = 0.65$$

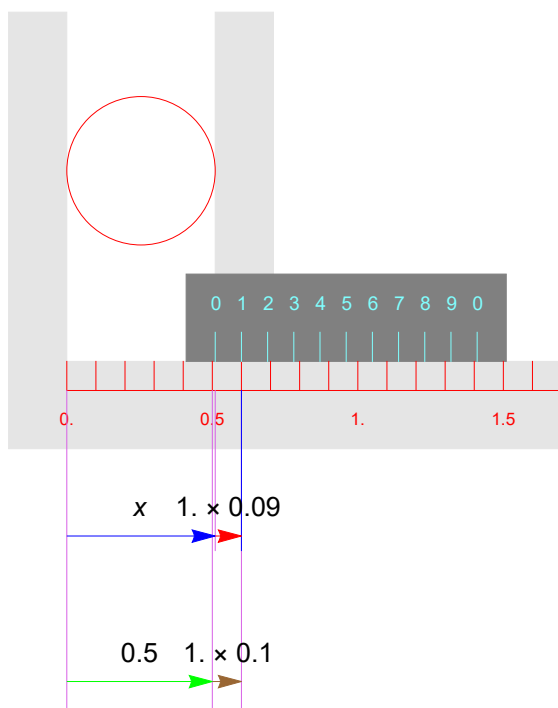
28.



$$x + a = b + c$$

$$x = 0.3 + 6 (0.1 - 0.09) = 0.3 + 0.06 = 0.36$$

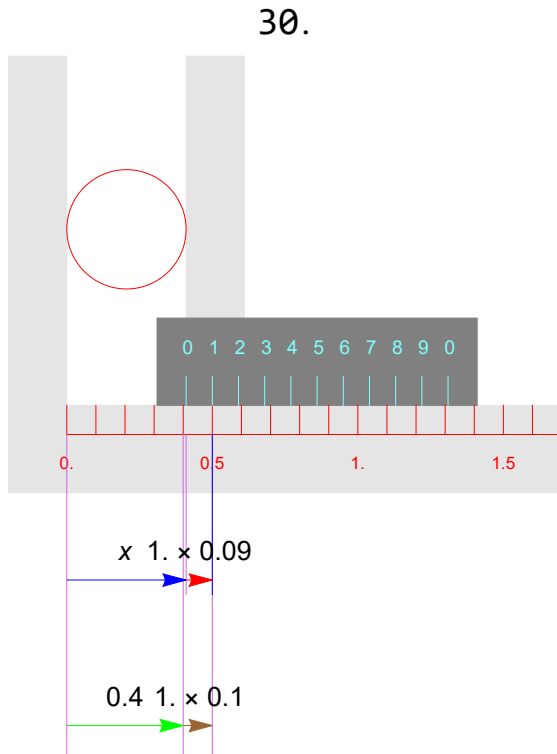
29.



$$x + a = b + c$$

$$x = 0.5 + 1 (0.1 - 0.09) = 0.5 + 0.01 = 0.51$$





$$x + a = b + c$$

$$x = 0.4 + 1 (0.1 - 0.09) = 0.4 + 0.01 = 0.41$$